

Hydraulic Driven Flow Control Spout Set-Up Instructions

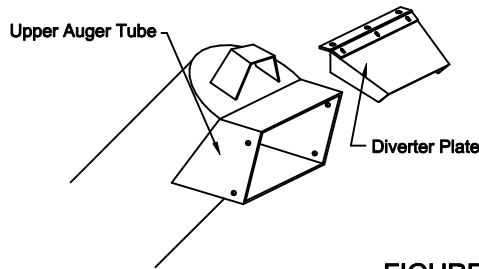
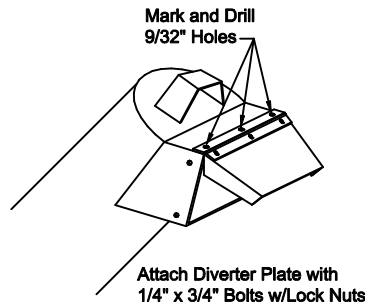


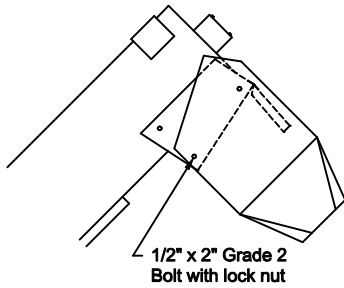
FIGURE ONE



- 1** Align and fasten the Hinge Plate to the Inner Diverter Plate with three 1/4" x 3/4" bolts with lock nuts.

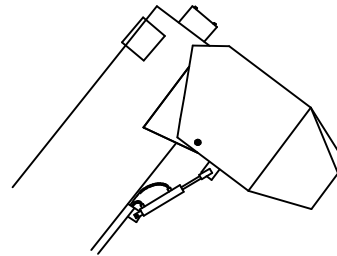
Position the Inner Diverter Plate on the top of the auger tube so the edges align.

Mark and drill 9/32" holes in the top of the auger tube and fasten the Diverter Plate with 1/4" x 3/4" bolts with lock nuts provided. (See FIGURE ONE)



1/2" x 2" Grade 2 Bolt with lock nut

FIGURE TWO



- 2** Attach the auger spout to the auger tube with one 1/2" x 2" Grade 2 Bolt with lock nut (each side).

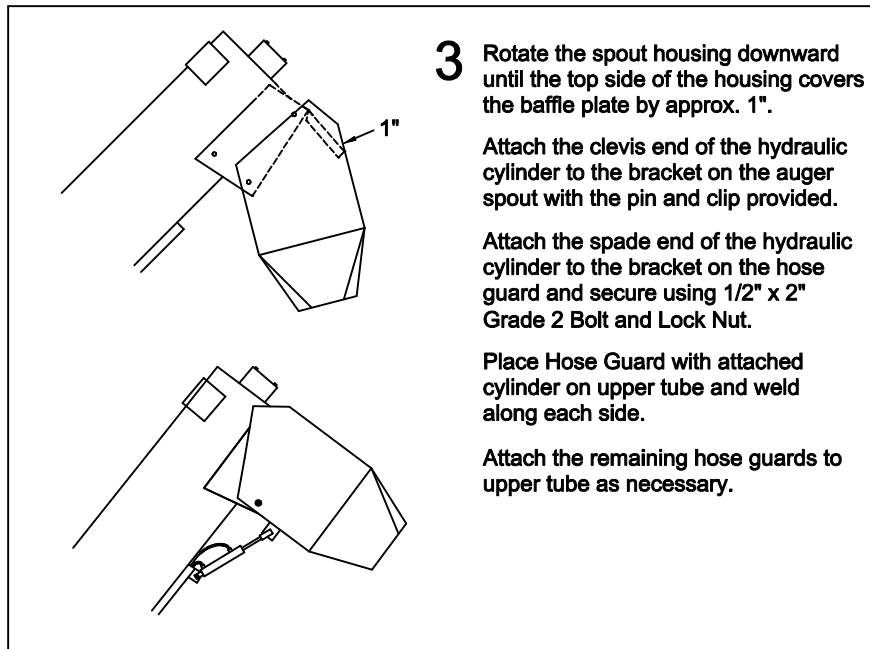
Attach the clevis end of the hydraulic cylinder to the bracket on the auger spout with the pin and clip provided.

Attach the spade end of the hydraulic cylinder to the bracket on the auger tube and secure using 1/2" x 2" Grade 2 Bolt and Lock Nut.

If upper auger tube does not have the hose guard with cylinder mounts already welded, go to STEP 3.

Run the hydraulic hoses through the U-Shaped Hose Protection Shield on the auger tube and attach to the hydraulic cylinder. (See FIGURE TWO)

Secure the hydraulic hoses around the hinge area of the folding auger using the Retaining Clip and Self Tapping Screw provided.



- 3** Rotate the spout housing downward until the top side of the housing covers the baffle plate by approx. 1".

Attach the clevis end of the hydraulic cylinder to the bracket on the auger spout with the pin and clip provided.

Attach the spade end of the hydraulic cylinder to the bracket on the hose guard and secure using 1/2" x 2" Grade 2 Bolt and Lock Nut.

Place Hose Guard with attached cylinder on upper tube and weld along each side.

Attach the remaining hose guards to upper tube as necessary.

Qty	Description
1	Funnel Spout Housing
1	Hinge
1	Baffle Plate
1	Hydraulic Cylinder with clevis end and 90 degree elbows
2	1/4" Hydraulic Hoses x 28'
2	Pioneer Quick Couplers
6	1/4" x 3/4" Bolts with Lock Nuts
1	1/2" Regular Nut
3	1/2" x 2" Bolt
3	1/2" Lock Nut
1	Self Tapping Screw
1	Retaining Clip for Hose
1	1/4" Swivel Restrictor for Cylinder
1	1/2" x 1 1/2" Clevis Pin with Cotter Pin
2	24" Nylon Ties
1	Hose Guard with Cylinder Mount - Optional
2	Hose Guard - Optional