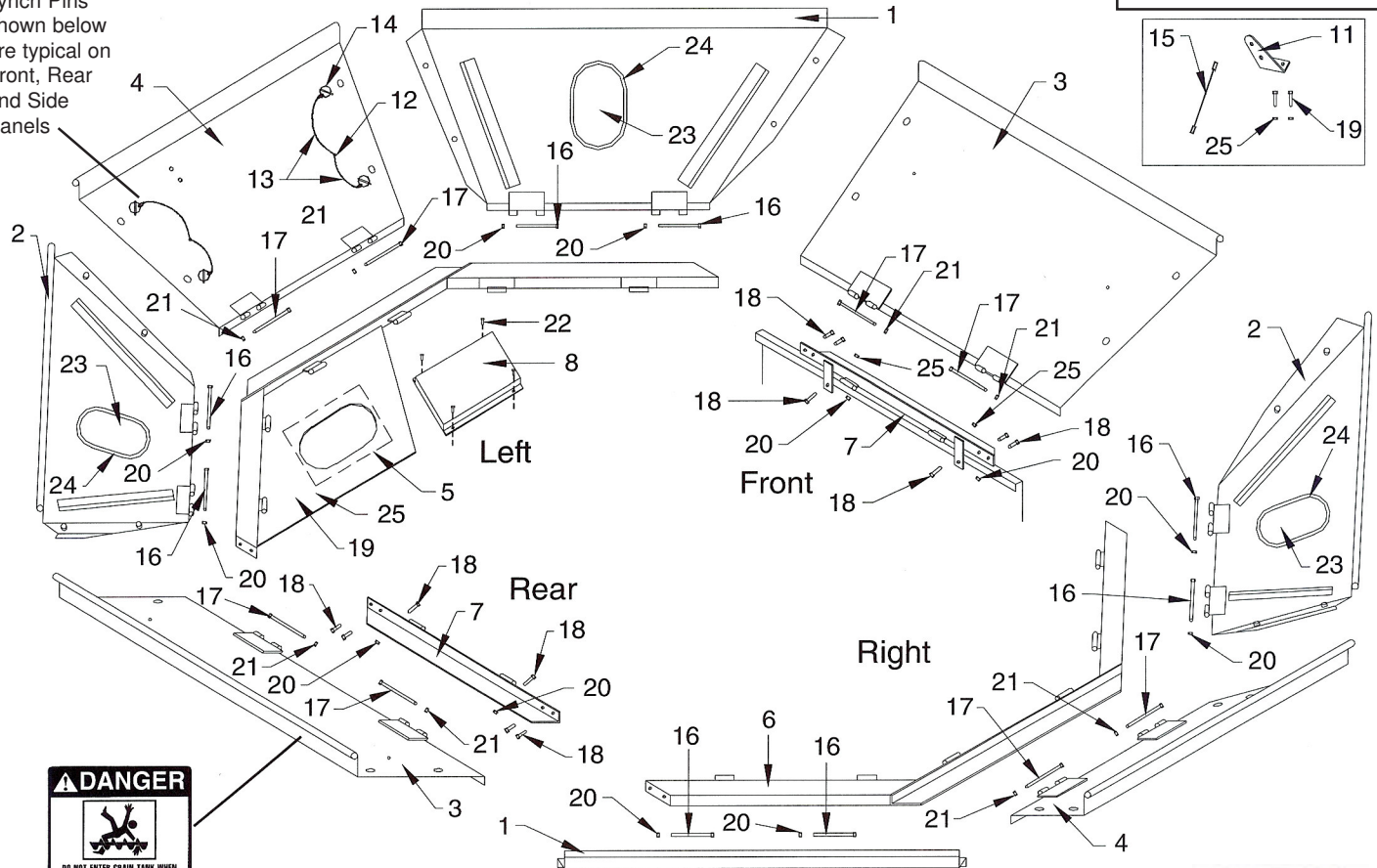
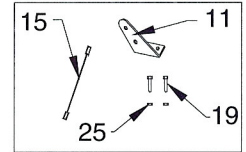


Combine Grain Tank Set-Up Instructions

for John Deere 9400, 9410, 9500, 9510 and 9550 Walker Series Combines (model year 2001 and older)

Lanyards and Lynch Pins shown below are typical on Front, Rear and Side Panels

Sensor Mounting Bracket, Hardware and Sensor Extension Wire

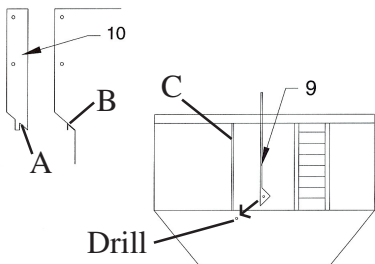


#	Part #	Description	Qty
1	JD-CP1	Corner Panel	2
2	JD-CP2	Corner Panel	2
3	JD-FRP-95	Front/Rear Panel (9500)	2
	JD-FRP-96	Front/Rear Panel (9600)	2
4	JD-LRP	Left/Right Panel	2
5	JD-LF-NS	Left Frame	1
6	JD-RF	Right Frame	1
7	JD-AR-95	Angle Rail (9500)	2
	JD-AR-96	Angle Rail (9600)	2
8	JP-CP	Cover Plate	1
9	JD-RCB	Rear Center Brace	1
10	JP-RB	Rear Brace	1
11	JD-SMB	Sensor Mounting Bracket	1
12	CTE-PP	Plastic Plug	8
13	CTE-PL	Plastic Lanyard	16
14	CTE-LP	Lynch Pin	16
15	JD-EW	Extension Wire	1
16	HB-38412	3/8" x 4 1/2" Bolt	8
17	6MM-475	6MM x 4 3/4" Bolt (8.8)	8
18	FB-381	3/8" x 1" Flange Bolt	16
19	FB-51658	5/16" x 5/8" Flange Bolt	9
20	LN-38	3/8" Lock Nut	12
21	6MM-NLN	6MM Nylon Lock Nut	10
22	DS-1434	1/4" x 3/4" Drill Screw	4
23	IW-71212	Inspection Window	4
24	62095-7	Window Molding	4
25	FN-516	5/16" Flange Nut	9
26	FN-38	3/8" Flange Nut	6
27	CTE-SS1	Step	1

Assembly Instructions

Step 1:

Attach rear brace (10) to outside left corner of combine tank as shown.



Remove corner bolts, position new brace making sure point A rests on grain tank brace point B, then reinstall corner bolts securing new brace to grain tank.

For second brace installation, locate flange C on inside rear wall of grain tank. Position new Rear Center Brace (9) on the side of the flange nearest the ladder. With the notch on the top of the new brace, under the top lip of the grain tank, and flush with the side of the tank flange, mark and drill 5/16" holes. Secure new brace with 5/16" flange bolts and flange nuts in the top two holes in the flange and the bottom hole with 5/16" flange bolt and nut.



Combine Grain Tank Set-Up Instructions

for John Deere 9400, 9410, 9500, 9510 and 9550 Walker Series Combines
(model year 2001 and older)

Assembly Instructions (Continued)

Step 2:

Lay out the frame halves and extension on the top of the combine as shown. Attach extension angles to frame halves using (8) - 3/8" x 1" Flange Bolts.

NOTE: The Left Frame half has a notch cut out of the angle iron.

Step 3:

Drill holes through the four weld on tabs and secure to the combine tank with (4) 3/8" x 1" Flange Bolts and Flange Nuts.

Step 4:

Drill and fasten Left Frame Plate to combine using (4) 5/16" x 5/8" Flange Bolts and Flange Nuts.

Step 5:

Lay out the corner panels as shown and attach using (8) 3/8" x 4 1/2" Bolts and 3/8" Lock Nuts.

Step 6:

Attach the side panels to the frame using (4) 1/4" x 4 1/2" Bolts and 1/4" Lock Nuts.

Step 7:

Attach the front and rear panels to the frame using (4) 1/4" x 4 1/2" Bolts and 1/4" Lock Nuts.

(NOTE: The panel with the Danger decal should be used as the Rear Panel.)

Step 7:

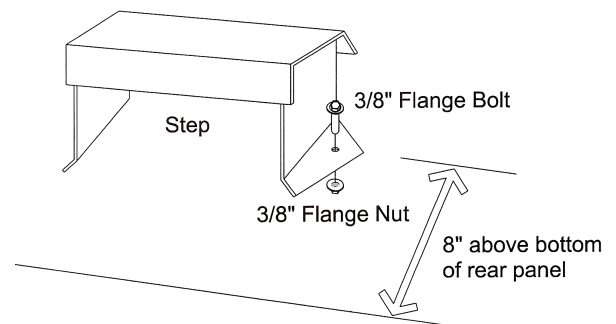
Push the plastic plugs through the retainer lanyards and into the existing holes from inside extension. Fold end of lanyard around lynch pin ring and snap into place.

Step 8:

Remove existing sensor from current position. Install Sensor Mounting Bracket on panel using (2) 5/16" Flange Bolts and 5/16" Flange Nuts. Bolt the sensor to the Sensor Mounting Bracket and reconnect with the Extension Cable provided.

Step 9:

On the grain tank extension rear panel, position the step approximately 8" from the lower side of the panel and directly above the step in the combine tank. Using the step as a template, mark and drill two 13/32" holes in the rear panel. Attach the step using (2) 3/8" x 1" Flange Bolts and Flange Nuts. NOTE: Be sure the step is positioned and mounted as shown.



Folding the Panels

Step One:

Fold the side panels toward the middle of the combine hopper.

Step Two:

Fold the front and rear panels inward.

Step Three:

Fold the four corner panels.



J. & M. Mfg. Co., Inc.

P.O. Box 547 Ft. Recovery, OH 45846

Ph: (419) 375-2376 Fax: (419) 375-2708

www.jm-inc.com

WARNING:

Use of this product is at the owner's discretion. Increasing grain capacity may adversely affect center of gravity, stability, and controllability. Exceeding maximum combine weight loadings can risk structural integrity and drive line components. J. & M. Mfg. Co., Inc. does not assume any liabilities, or make any warranties regarding the performance or structure of the combine. See combine owner's/operator's manual for specific limitations, operating recommendations, and safety information.