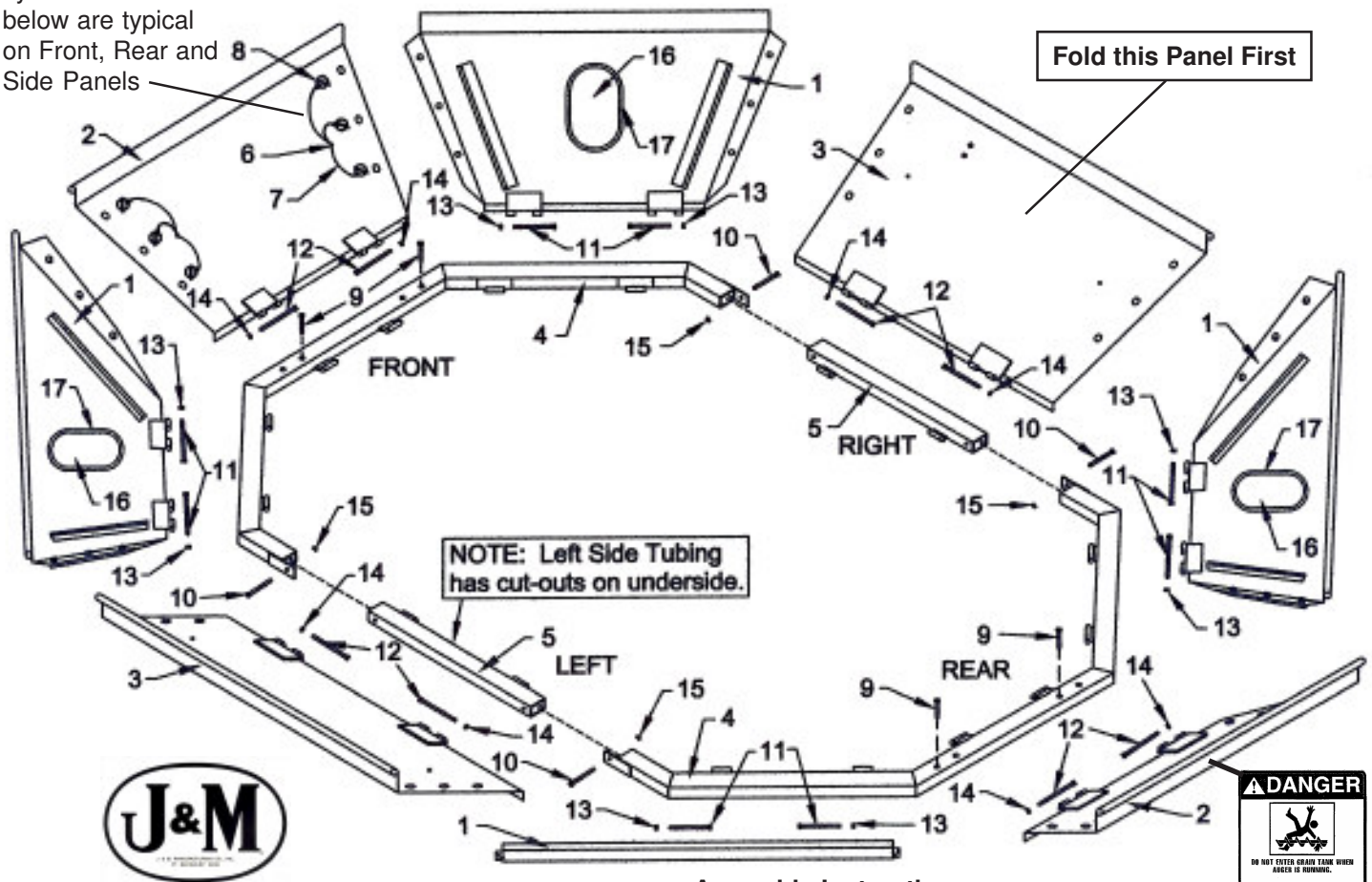


Combine Grain Tank Set-Up Instructions

for New Holland 920, 940 and 960 Series Combines

Lanyards and Lynch Pins shown below are typical on Front, Rear and Side Panels



Assembly Instructions

Step One:

Remove 5/16" bolts in the combine cab that may interfere with the placement of the grain tank framing members.

Place frame halves on combine hopper. Loosely fasten frame halves combine hopper using one of the following options:

Option One: If combine has hex nuts welded to the top of the combine at the front and rear frame members, simply align the welded hex nuts with two of the cut-outs in the front and rear frame and secure to the top of the combine using four 8.8 x 2 1/4" hex bolt and heavy washer.

Option Two: If combine does not have hex nuts welded to the top of the combine at the front and rear frame members, align the front and rear frame members with the adjacent holes in the top of the combine and secure using eight 3/8" x 2 1/2" Bolts and 3/8" Flange Nuts.

Step Two:

Fasten Tubing Rails (Note: Left side tubing rail has cut-outs on the underside of the tube) to frame halves using four 3/8" x 4" bolts with 3/8" lock nuts. Using self tapping screws, secure the tubing rails (through the hinge hole) to the top of the combine to prevent frame from lifting when panels are folded.

Step Three:

Attach the corner panels to the hinges on the front and rear frames as shown using eight 3/8" x 4 1/2" Bolts and 3/8" Lock Nuts.

#	Part #	Description	Qty
1	NH-CP920	Corner Panel	4
2	NH-FR920	Front/Rear Panel	2
3	NH-LR920	Left/Right Panel	2
4	NH-FRF920	Front/Rear Frame	2
5	NH-TR920L	Tubing Rail (left w/cut-out)	1
5	NH-TR920R	Tubing Rail (right)	1
6	CTE-PP	Plastic Plug	8
7	CTE-PL	Plastic Lanyard	24
8	CTE-LP	Lynch Pin	24
9	HB-38212	8.8 x 2 1/4" Hex Bolt w/Heavy Washer and Nut (opt.)	4
9	HBN-38212	3/8" x 2 1/2" Bolt w/ Flange Nut	4
10	HB-384	3/8" x 4" Bolt	8
11	6MM-475	6MM x 4 3/4" Bolt (8.8)	8
12	HB-38412	3/8" x 4 1/2" Bolt	8
13	LN-38	3/8" Lock Nut	8
14	6MM-NLN	6MM Nylon Lock Nut	8
15	FN-38	3/8" Flange Nut	10
16	IW-71212	Inspection Window	4
17	62095-7	Window Molding	4
18	PCS-316100	Panel Chain Support	1
19	FB-381	3/8" x 1 Flange Bolt	2
20	CTE-SS1	Step	1
21	34STS	Self Tapping Screw	8