

For Questions Call Joe (Service Manager) at J&M Manufacturing. (419-375-2376 ext. 128)

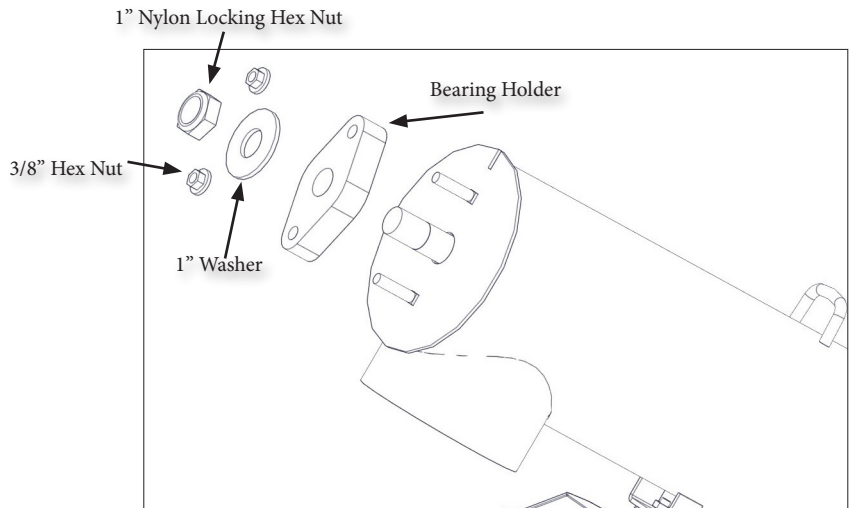
Rev. 4.14.2016

**J. & M. Mfg. Co., Inc.**  
**284 Railroad Street - P.O. Box 547**  
**Fort Recovery, OH 45846**  
**Ph: (419) 375-2376 Fax: (419) 375-2708**  
**www.jm-inc.com**

## Service Guide

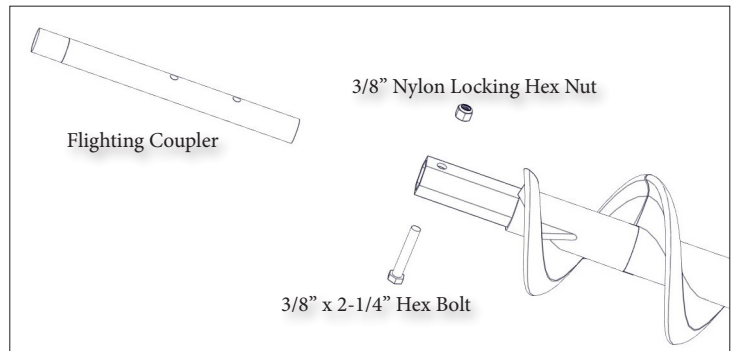
- **Remove *flighting from upper auger***

Remove 1" nylon locking hex nut and both 3/8" hex nuts.  
 Remove 1" flat washer and bearing holder.  
 Pull the flighting out of the upper auger assembly.  
 Remove the spring.  
 Remove the 3/8" x 2-1/4" hex bolt and 3/8" nylon locking hex nut.  
 Remove flighting coupler.  
**Keep all parts removed. They will be installed in a later step.**



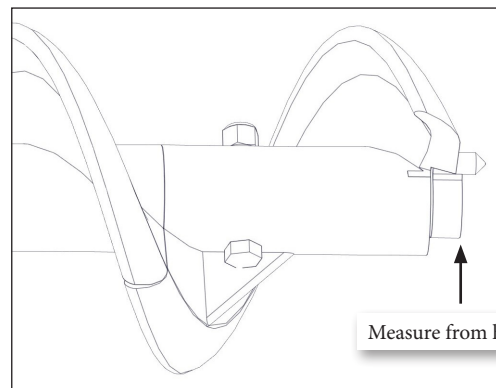
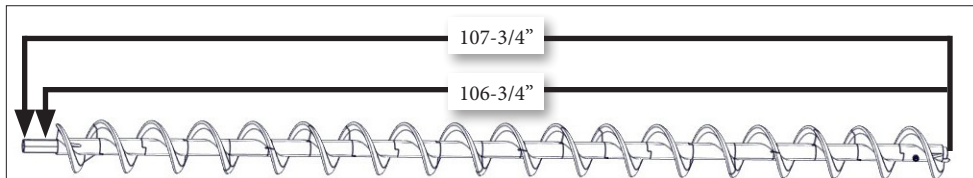
- **Mark locations for cutting.**

Measure 107-3/4" from the flat end of the flighting.  
 Mark a location across the hex shaft.  
 Using a saw, cut through the line on the hex tubing.  
 Clean up the end of the hex tubing with a grinder or sand paper to remove all burs.



- **Mark locations for drilling.**

Measure 106-3/4" from the flat end of the flighting.  
 Mark a hole on the center of one of the hex faces on the hex tubing.  
 Drill through the first face of the tubing.  
 Install the flighting coupler then orientate the coupler to align with the drilled hole.  
 Drill through the second face of the hex tubing.  
 Install 3/8" x 2-1/4" hex bolt and 3/8" nylon locking hex nut.  
 Tighten the 3/8" hex bolt and nut.



## Service Guide

- **Install *flighting into upper auger.***

Slide spring and 1" flat washer onto flighting coupler.

Insert flighting into upper auger.

Fasten bearing holder to upper flighting using both 3/8" x 1-3/4" carriage bolts and 3/8" hex nuts.

Finish fastening the bearing holder using a 1" washer and 1" nylon locking hex nut.

Tighten all hardware.

- **Set *flighting***

Fold the auger out.

Loosen 1" nylon locking hex nut so there is a 1/8" gap between the 1" washer and 1" nylon locking hex nut.

