

NitroGro
5000 Series Nitrogen Applicators



Place Your

NITROGEN

Where It Counts...When It Counts

Corn grows very rapidly in the latter stages of life, particularly after the V8 stage. Because of this rapid growth, corn requires a large amount of nitrogen during this period. Sidedressing with a J&M NitroGro™ allows you to apply the nitrogen where and when it is needed most, next to the root and during the V6 plant stage. More nitrogen is absorbed by the plant and less is wasted into the ground, water or air.



5000 SERIES MODELS

5010 • 5016



5000 Series NitroGro Nitrogen Applicators

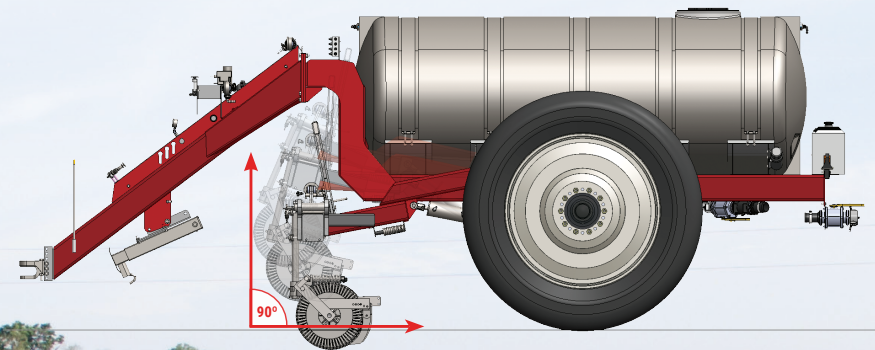
J&M's 5000 Series NitroGro Nitrogen Applicator is available in either 1,000 gallon (5010) or 1,600 gallon (5016) tank capacities with 30 foot or 40 foot working widths and 20", 22" or 30" row spacing. Choose from injectors or knives to consistently deliver nitrogen next to the root to minimize the risk of denitrification.

High tensile grade steel coulter shafts have a true 30" of crop clearance for a longer application window. The heavy-duty 7"x7" toolbar uses a unique pivot design with durable poly bushings to raise and lower the center bar on a gradual arc for consistent and perpendicular ground contact. The toolbar flex and hydraulic down force ensure nitrogen is being placed at the depth you want, no matter the soil conditions. The toolbar can also be used as a rigid bar to suit your application needs.

Available options include closers, flow monitors, depth control spools, 3" fill valve, Raven 440 controller, ground drive pump and wavy coulters. The 5000 Series NitroGro Applicators will get nitrogen to your plants consistently and efficiently to help maximize your yields.

Toolbar Pivot Design

The toolbar is raised and lowered by a unique pivot arm design that allows a more consistent and gradual placement of the coulters, ensuring the knife or injector remains perpendicular to the ground during application. The unique design also eliminates complex pivot points and incurs less wear compared to parallel linkage designs.



9 Gallon Wash Tank

Optional Flow Monitors

7" x 7" Toolbar Frame

Pin to Axle 12' (5010) or 14' (5016)

Injection or Knife Fertilizer Delivery

30" of Clearance

Transport Latch/Wing Rest

Unique Locking Bar allows you to unfold and lock the bar without leaving the cab of the tractor.



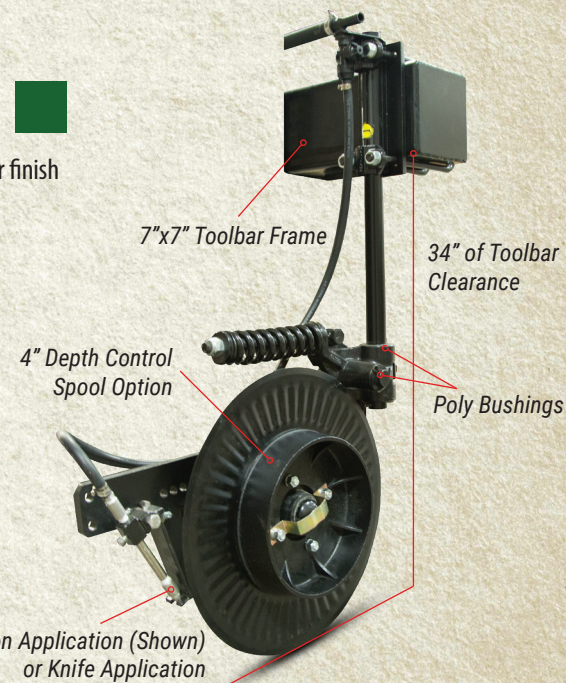
MODELS 5010 • 5016

Design Features

- 30" of crop clearance extends application window
- Extra strong high tensile grade steel coulters shafts
- Automatic transport locks don't interfere with the stroke control spacers
- Narrow transport width for easy field-to-field transportation
- Short pin to axle distance reduces crop damage
- Heavy-duty hinges with 2 1/2" pivot pins with greaseless poly bushings
- Unique locking bar allows you to unfold and lock the bar without leaving the cab of the tractor (no locking pins)
- Larger tool-free adjustable gauge wheels increase flotation and durability
- Single 7" x 7" toolbar frame
- Toolbar can flex to provide consistent application or be used as a rigid bar
- Transparent tank for easy monitoring
- Automatic wing kick

Available Options

- Choice of durable red or green powder coat exterior finish
- Flow monitors
- Depth control spools
- Larger 3" quick fill tube
- Ground driven pump (John Blue)
- Choice of knife or injection fertilizer delivery
- Raven 440 or ISO-BUS controls



SPECIFICATIONS		
Models	5010	5016
Tank Size	1,000 Gallon	1,600 Gallon
Working Width	25'-0" or 44'-0"	25'-0" or 44'-0"
Ground Clearance	30"	30"
Row Spacing*	20", 22", 30"	20", 22", 30"
Number of Coulters	11, 13, 15, 17, 23, 25	11, 13, 15, 17, 23, 25
Coulter Style	Grove Engineered Products (GEP)	Grove Engineered Products (GEP)
Fertilizer Delivery	Knife or Injection	Knife or Injection
Wing Flex	Standard 8° Flex Up - 6° Flex Down (can be operated rigidly)	Standard 8° Flex Up - 6° Flex Down (can be operated rigidly)
Wing Kick	Standard	Standard
Toolbar Frame Tubing	7" x 7" Toolbar	7" x 7" Toolbar
Hydraulic Down Pressure	Hydraulic	Hydraulic
Driven Pump	Standard Ace Pump Optional Ground Driven (John Blue)	Standard Ace Pump Optional Ground Driven (John Blue)
Wheels / Tires	46"x12" / IF380/90R46 Firestone Tires	46"x12" / IF380/90R46 Firestone Tires
Transport Width	15'-0"	15'-0"
Transport Height	12'-6"	12'-6"
Transport Length	16'-8"	20'-8"
Pin To Axle	12'-0"	14'-0"
Flow Monitors	Optional	Optional
Depth Control Spools	Optional	Optional
Quick Fill	2" Fill Standard - 3" Fill Optional	2" Fill Standard - 3" Fill Optional
Wash Tank	Standard 9 Gallon Wash Tank	Standard 9 Gallon Wash Tank
Empty Weight	10,500 lbs.	10,900 lbs.
Transport Tongue Weight Empty	2,700 lbs.	2,800 lbs.
Transport Tongue Weight Loaded	2,900 lbs.	3,000 lbs.

* Other Row Spacing Available Upon Request



J&M Manufacturing, Inc

284 Railroad Street • Fort Recovery, Ohio 45846
(419) 375-2376 • fax: (419) 375-2708 • sales@jm-inc.com • www.jm-inc.com

Specifications are subject to change without notice or obligation. ® Registered Trademark of J.&M. Mfg., Co. Inc.



Knife or Injection Delivery

Choose from injectors or knives to consistently deliver nitrogen next to the root to minimize the risk of denitrification.



Knife Delivery

Injection Delivery

Raven Controllers (optional)

The SCS 440 automatically maintains the rate regardless of speed changes. The SCS 440 & 540 consoles include a 10 year non-volatile memory to maintain settings even with an extended loss of power.

