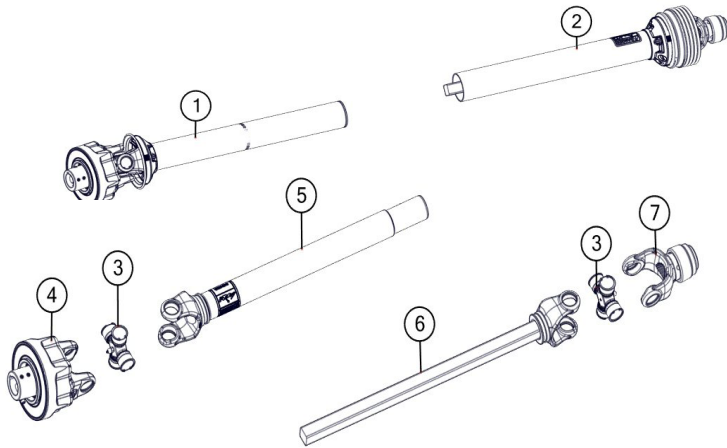
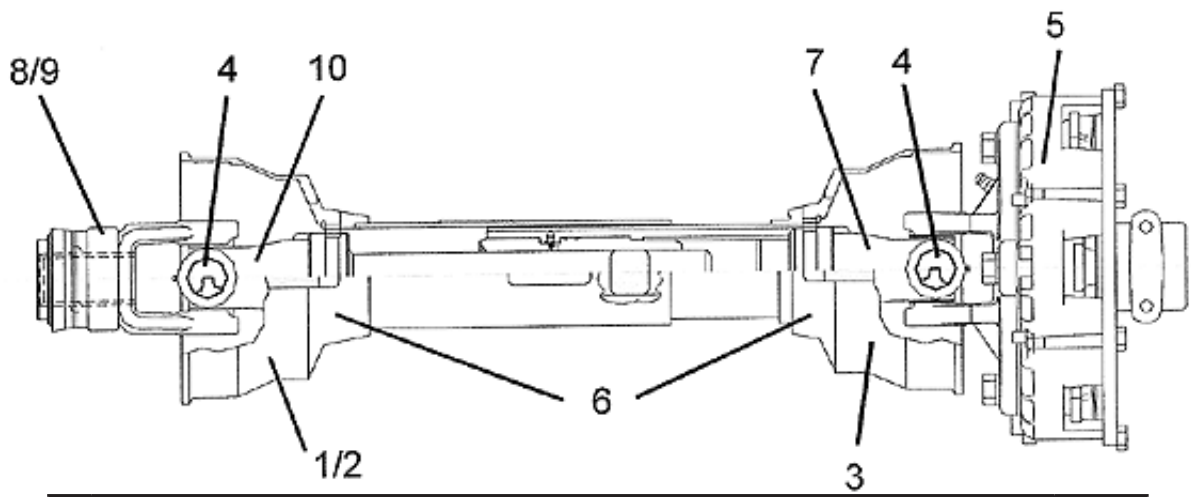


POWER TAKE OFF (PTO) SHAFT ASSEMBLY
1-3/4" & 1-3/8" Weasler Automatic Clutch - Black in Color



#	Description	Part. No.	Price
1	Back Half PTO	JM0018513	\$720.00
1	Back Half PTO (XL)	JM0030331	\$720.00
2	1-3/4" Front Half PTO	JM0018514	\$480.00
2	1-3/4" Front Half PTO (XL)	JM0030330	\$530.00
2	1-3/8" Front Half PTO	JM0024367	\$480.00
2	1-3/8" Front Half PTO (XL)	JM0030640	\$530.00
3	55ECross Kit	JM0018449	\$100.00
4	Auto Clutch	JM0018500	\$420.00
5	Yoke, Tube & Sleeve	JM0018519	\$200.00
5	Yoke, Tube & Sleeve (XL)	JM0031647	\$250.00
6	Yoke & Shaft Assembly	JM0018520	\$200.00
6	Yoke & Shaft Assembly (XL)	JM0031648	\$250.00
7	1-3/4" Spring Lock Yoke	JM0018506	\$180.00
7	1-3/8" Spring Lock Yoke	JM0024353	\$180.00
8	Front Guard	JM0018518	\$50.00
8	Front Guard (XL)	JM0030642	\$50.00
8	Back Guard	JM0018517	\$50.00
8	Back Guard (XL)	JM0030645	\$50.00
9	1-3/4" PTO Complete	JM0018443	\$1,200.00
9	1-3/4" PTO Complete (XL)	JM0030332	\$1,300.00
9	1-3/8" PTO Complete	JM0024333	\$1,200.00
9	1-3/8" PTO Complete (XL)	JM0030641	\$1,300.00

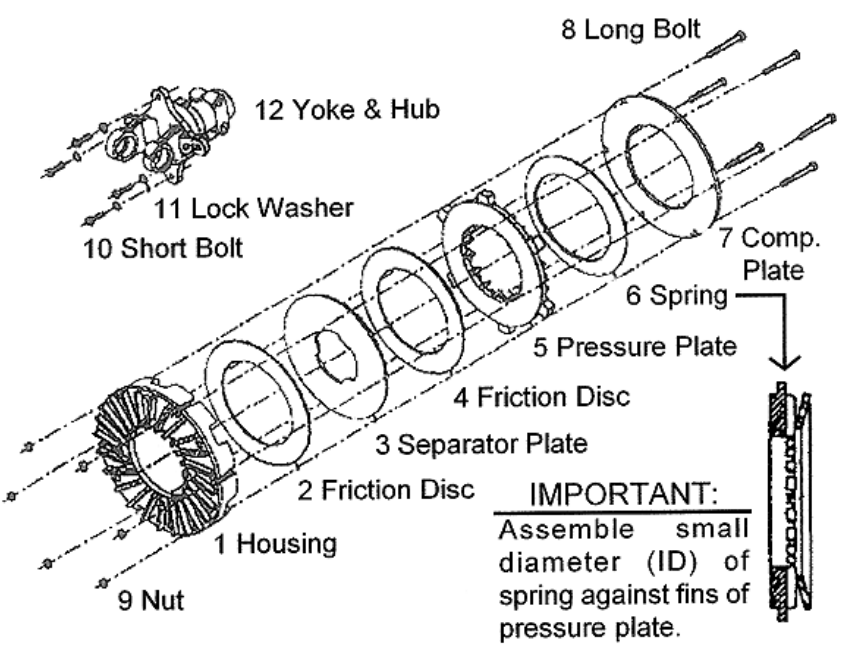
POWER TAKE OFF (PTO) SHAFT ASSEMBLY
Weasler Manufactured PTO with New Style Slip Clutch (Since June 1997)(Black in Color)
For Models 360-14, 435-14, 525-14, 525-14W, 620-14, 750-14, 750-16, 875-16, and 1075-16 Grain Carts



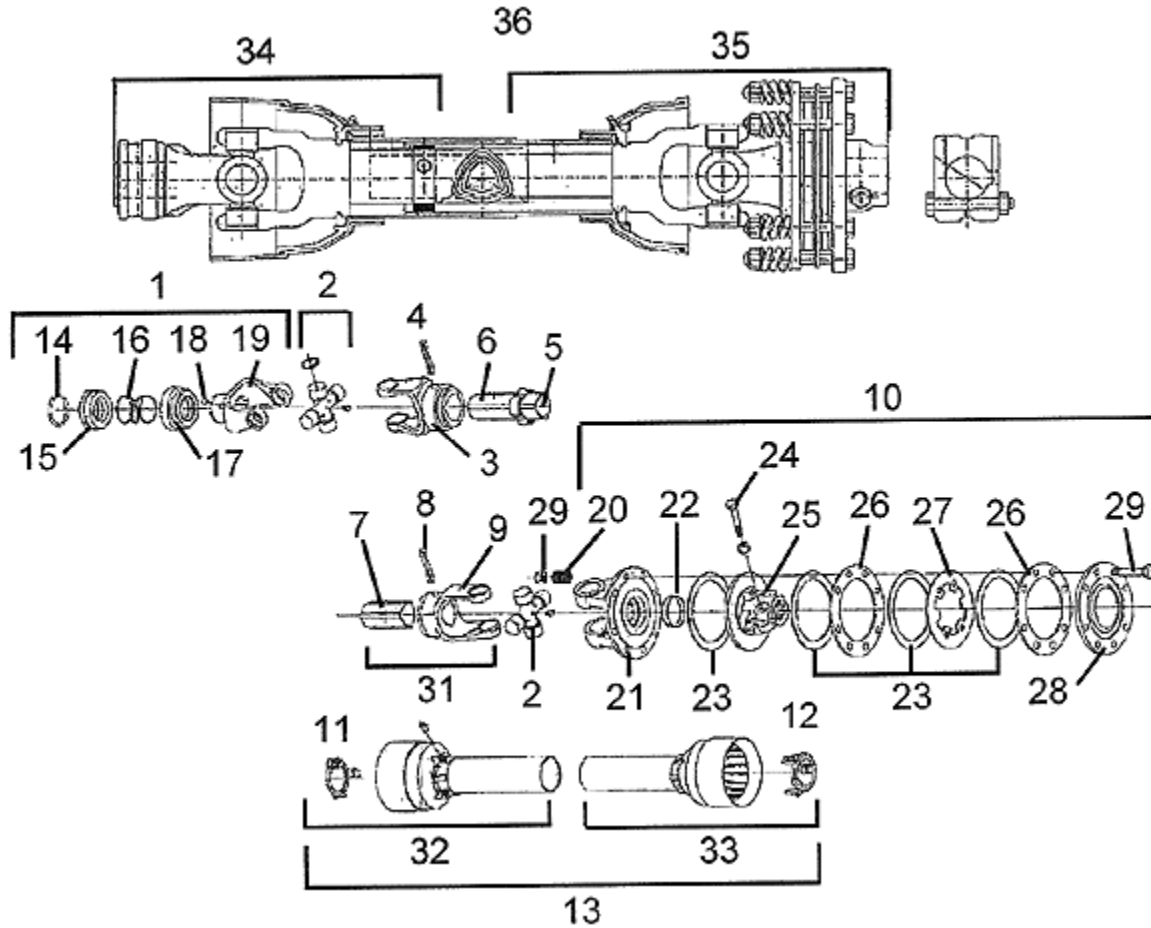
#	Description	Part. No.	Price
1	Front Half of PTO, 1-3/8"-21 Spline (91-1400-F-138)	JM0026025	\$275.00
2	Front Half of PTO, 1-3/4"-20 Spline (91-1400-F-134)	JM0026026	\$360.00
3	Back Half of PTO with Slip Clutch, Self Adjusting (97-18615B)	JM0026027	\$370.00
4	14R Cross Kit, PTO or U-Joint (03-10134)	JM0024310	\$41.50
5	Lining, Friction Disc, Old Style (11-10143)	JM0026029	\$25.50
5	Lining, Fiction Disc, New Style, 6-1/4" OD - 3-7/8" ID, Started June 1997 (11-11167)	JM0026031	\$25.50
6	Complete Shield with Nylon Bearing Retainer (1628ICS)	JM0026032	\$97.00
6	Front Half of Shield with Retainer (1628ICS-F)	JM0026033	\$48.50
6	Back Half of Shield with Retainer (1628ICS-B)	JM0026034	\$48.50
7	Yoke & Tube Assembly (98-15972)	JM0026035	\$180.00
8	Spring-Lok Yoke 1-3/8" (14122-1012)	JM0026036	\$66.00
9	Spring-Lok Yoke 1-3/4" (14011-1960)	JM0026037	\$155.00
10	Yoke & Shaft Assembly (99-16281)	JM0026038	\$220.00
11	PTO Shaft Complete 1-3/8" (91-1400-138)	JM0026039	\$640.00
11	PTO Shaft Complete 1-3/4" (91-1400-134)	JM0026045	\$730.00

Self Adjusting Slip Clutch (Since June 1997)

#	Description	Part. No.	Price
1	Housing (11-01HS)	JM0026046	\$43.00
2	Friction Disc (11-11167)	JM0026031	\$25.50
3	Separator Disc (11-02SP)	JM0026047	\$29.00
4	Friction Disc (11-11167)	JM0026031	\$25.50
5	Pressure Plate (11-05PP)	JM0026048	\$21.50
6	Spring (11-06SP)	JM0026049	\$57.00
7	Compression Plate (11-07CP)	JM0026050	\$21.50
8	Long Bolt (11-08LB)	JM0026051	\$1.45
9	Nut (11-09NT)	JM0026052	\$0.40
10	Short Bolt (11-10SB)	JM0026053	\$0.85
11	Lock Washer (11-11LW)	JM0026054	\$0.40
12	Yoke & Hub (11-12YH)	JM0026055	\$110.00
13	Slip Clutch Complete (11-13SC)	JM0026056	\$255.00



POWER TAKE OFF (PTO) SHAFT ASSEMBLY
80-Series Comer Manufactured PTO - Yellow in Color
Used on all Model Grain Carts with Standard 18", 20", and 22" Diameter Augers



#	Description	Part. No.	Price
1	Complete Collar Yoke, 1-3/4" (28428)	JM0025180	\$155.00
1	Complete Collar Yoke, 1-3/8" (28426)	JM0025181	\$155.00
2	Cross Journal Set (18130)	JM0025144	\$73.00
3	Outer Yoke (18133)	JM0025145	\$115.00
4	Roll Pin for Outer Tube (00243)	JM0025146	\$3.75
5	Bushing with Grease Nipple (18210)	JM0025147	\$8.50
6	Complete Outer Tube (30710)	JM0025148	\$90.00
7	Inner Tube (90010)	JM0025149	\$90.00
8	Roll Pin for Inner Tube (00271)	JM0025150	\$2.00
9	Inner Yoke (18134)	JM0025151	\$115.00
10	Complete Slip Clutch (84033)	JM0025152	\$280.00
11	Retain Collar for Outer Tube (19121)	JM0025153	\$8.50
12	Retain Collar for Inner Tube (19122)	JM0025154	\$8.50
13	Complete Guard (27820)	JM0025155	\$100.00
14	Outer Circlip (00452)	JM0025156	\$3.75
15	Sliding Sleeve Collar (16490)	JM0025157	\$36.25
16	Spring (15107)	JM0025158	\$3.25
17	Fixed Sleeve (16489)	JM0025159	\$33.50
18	Ball 5/8" (00085)	JM0025160	\$1.15
19	Yoke C15 (18428)	JM0025161	\$115.00

#	Description	Part. No.	Price
20	Spring (14022)	JM0025162	\$3.25
21	Flanged Yoke (18016)	JM0025163	\$155.00
22	Bushing (19019)	JM0025164	\$7.50
23	Lining Ring (6" OD x 3-1/2" ID)	JM0025165	\$23.25
24	Bolt M12 x 1.25 x 65 with Nut (00502)	JM0025166	\$3.50
25	Clutch Support F40 (18453)	JM0025167	\$125.00
26	Inner Plate (19014)	JM0025168	\$18.00
27	Intermediate Plate (19115)	JM0025169	\$25.50
28	Pressure Plate (19916)	JM0025170	\$48.50
29	Bolt & Nut M10 x 100 (00548)	JM0025171	\$1.15
30	Female Tube and Yoke (80039)	JM0025172	\$155.00
31	Male Tube and Yoke w/Roll Pin (80529)	JM0025173	\$155.00
32	Half Female Guarding (67820)	JM0025174	\$50.00
33	Half Male Guarding (37820)	JM0025175	\$50.00
34	Front Half PTO, 1-3/4" (21110)	JM0025176	\$360.00
34	Front Half PTO, 1-3/8" (21110-138)	JM0025177	\$360.00
35	Back Half of PTO with Clutch (36510)	JM0025178	\$380.00
36	PTO Complete, 1-3/4" (CPTO-134)	JM0020021	\$740.00
36	PTO Complete, 1-3/8" (CPTO-138)	JM0020024	\$740.00
37	Tee Key for Plastic Retain Collar (PTK-2)	JM0025179	\$2.15

