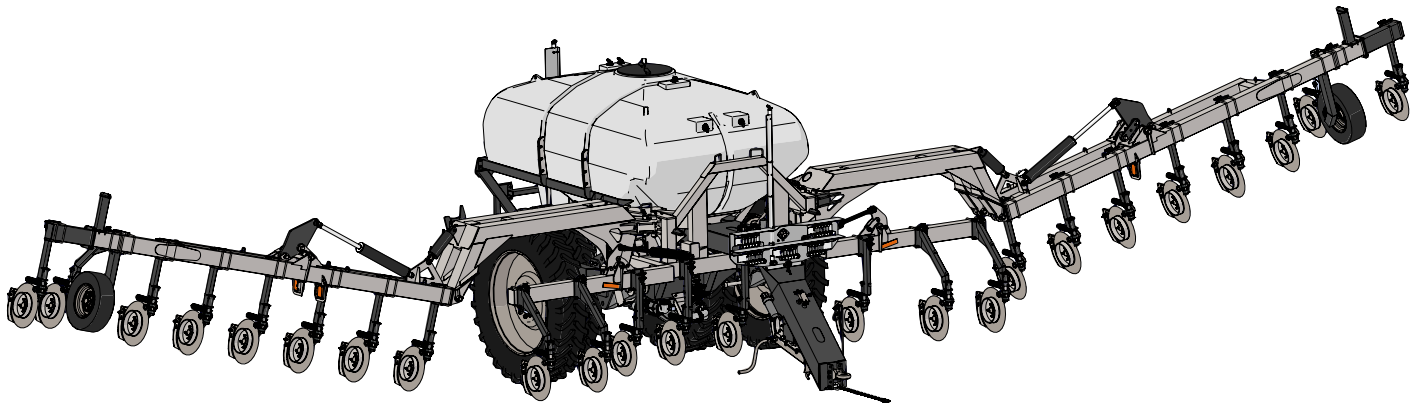




# Parts Manual



MODEL **6026**



Rev. 5.17.2024

J&M Manufacturing Co, Inc

284 Railroad Street - P.O. Box 547 | Fort Recovery, OH 45846 | Ph: (419) 375-2376 | Fax: (419) 375-2708

[www.jm-inc.com](http://www.jm-inc.com)



# Table Of Contents

Decals .....	4
Hitch .....	6
Jack Assembly .....	6
Wing Rest .....	6
Hub and Spindle Assembly .....	7
Gauge Wheel Assembly .....	8
Toolbar .....	9
Inside Wing and Connections .....	10
Middle Wing and Connections .....	12
Outside Wing and Connections .....	13
Wing End and Wing Prop .....	14
Track Axle .....	14
Walking Dual Wheel Assembly .....	15
Tank Supports .....	16
Tank Strap Down .....	17
Tank .....	18
Hydraulic 155 ACE Pump and Manifold .....	19
Hydraulic 750 ACE Pump and Manifold .....	20
Raven Manifold .....	21
Parallel Linkage for Toolbar Height Adjustment .....	22
Hand Wash Tank .....	23
Check Valve .....	23
Slow Moving Vehicle Sign .....	23
Coulter Mounts .....	24
Coulter Blade and Hub Assembly .....	24
GEP Coulter Assembly .....	25
Coulter Knife Assembly .....	26
Coulter Injector Assembly .....	26
J&M Para-Linkage Coulter .....	27
J&M Para-Linkage Coulter Rod Assembly .....	27
J&M Para-Linkage Row Closers .....	28
J&M Para-Linkage Spring Stop .....	29
Flow Monitor .....	30
Flow Monitor Mount and Sight Glasses .....	31
Hydraulic Pump Circuit Hydraulic Schematic .....	32
Main Wing Fold Circuit Hydraulic Schematic .....	33
Wing Flip Circuit Hydraulic Schematic .....	34
Down Pressure Circuit Hydraulic Schematic .....	36
Fertilizer Hose Routing .....	38
Raven SCS 450 Liquid Control System .....	40
ISO Liquid Control System .....	41
Lights and Wiring .....	42

When performing maintenance work, wear sturdy, rough-soled work shoes and protective equipment for eyes, hair, hands, hearing and head. Follow the Operator's Manual instructions to ensure safe and proper maintenance and repair.

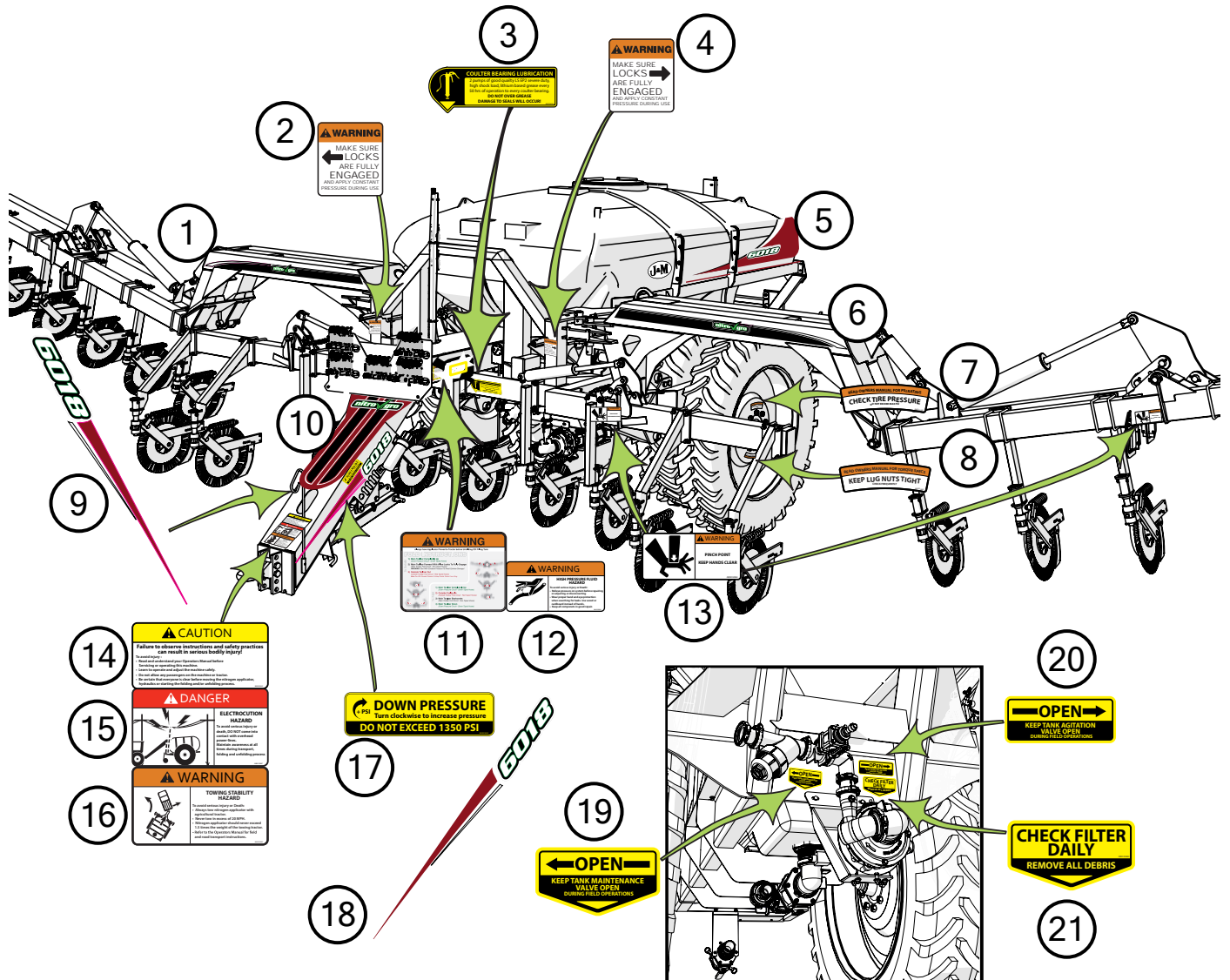
Your local, authorized dealer can supply genuine replacement parts. Substitute parts may not meet original equipment specifications and may be dangerous.

**⚠ WARNING: MAKE SURE ALL POWER IS SHUT OFF BEFORE PERFORMING ANY MAINTENANCE OR REPAIR WORK.**

# Decals

**⚠ATTENTION! BECOME ALERT! YOUR SAFETY IS INVOLVED!⚠**

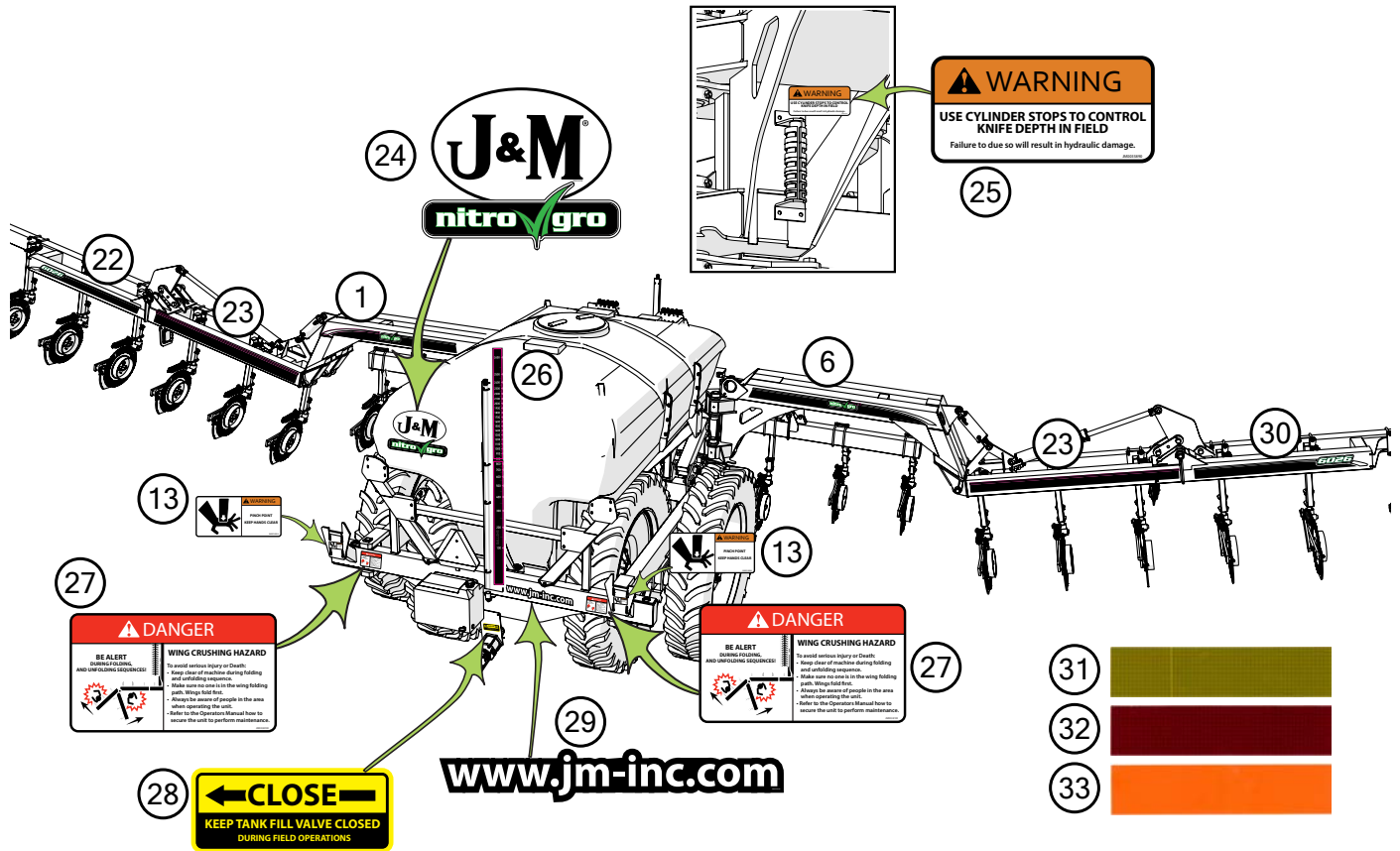
Replace Immediately If Damaged or Missing



Description	Part No.
1 NitroGro Wing Decal (Front Right, Rear Left)	JM0055012
2 Make Sure Locks are Fully Engaged Decal (Right)	JM0055013
3 Coulter Bearing Lubrication Decal	JM0038099
4 Make Sure Locks are Fully Engaged Decal (Left)	JM0055018
5 6018 Tank Stripes Red (Left)	JM0055208
5 6018 Tank Stripes Green (Left)	JM0055209
5 6018 Tank Stripes Red (Right)	JM0055210
5 6018 Tank Stripes Green (Right)	JM0055211
6 NitroGro Wing Decal (Front Left, Rear Right)	JM0055023
7 Check Tire Pressure Decal (NitroGro)	JM0038097
8 Keep Lug Nuts Tight Decal (NitroGro)	JM0035885
9 6018 Tongue Stripe Red (Right)	JM0055212
9 6018 Tongue Stripe Green (Right)	JM0055213
10 Top Red NitroGro Tongue Decal	JM0055027
10 Top Green NitroGro Tongue Decal	JM0055028

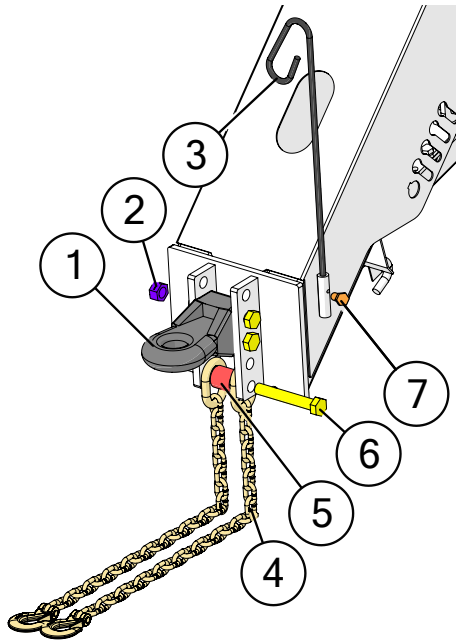


# Decals



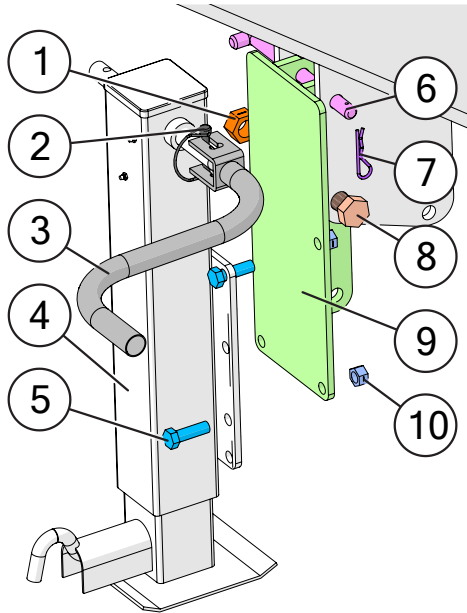
Description	Part No.
11 Fold Instructions Decal (NitroGro)	JM0055029
12 Warning, High Pressure Fluid Hazard Decal	JM0035880
13 Warning, Pinch Point Decal	JM0014994
14 Caution, Failure to Observe Instructions Decal (NitroGro)	JM0035881
15 Danger, Electrocutation Hazard Decal (NitroGro)	JM0035887
16 Warning, Towing Stability Hazard Decal (NitroGro)	JM0035882
17 Down Pressure Decal (NitroGro)	JM0035892
18 6018 Tongue Stripe Red (Left)	JM0055214
18 6018 Tongue Stripe Green (Left)	JM0055215
19 Open (Left) Keep Tank Maintenance Valve Open Decal	JM0039478
20 Open (Right) Keep Tank Agitation Valve Open Decal	JM0039479
21 Check Filter Daily Decal (NitroGro)	JM0035884
22 6018 Back Wing Stripe (Left)	JM0055216
23 Back Wing Solid Stripe (NitroGro)	JM0055033
24 NitroGro Logo Decal 14-3/8" x 12-1/8"	JM0055034
25 Warning, Use Cylinder Stops Decal (NitroGro)	JM0035890
26 Gallon Marker Decal (NitroGro)	JM0055035
27 Danger, Wing Crushing Hazard Decal	JM0038100
28 Close (Left) Keep Tank Fill Valve Closed Decal	JM0035891
29 www.jm-inc.com Decal (NitroGro)	JM0038108
30 6018 Back Wing Stripe (Right)	JM0055217
31 Amber Reflective Decal 2" x 9"	JM0009946
32 Red Reflective Decal 2" x 9"	JM0009945
33 Orange Reflective Decal 2" x 9"	JM0009944

# Hitch



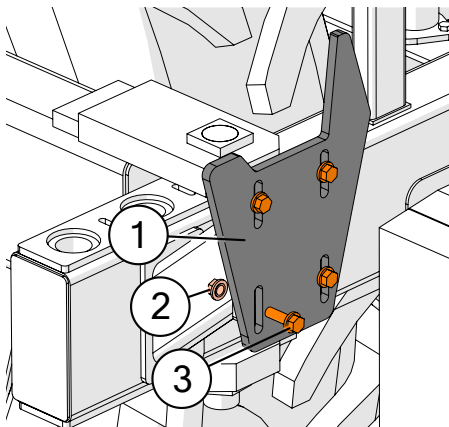
	Description	Part No.
1	CTD Perfect Hitch (Circular Hole)	JM0038515
2	1"-8 Gr2 Z Centerlock Hex Nut	JM0002149
3	1/2" Hose Holder Rod (12HHR)	JM0027120
4	40k Lb Safety Chain (83")	JM0029261
5	NitroGro Applicator Safety Chain Spacer	JM0059128
6	1"-8 x 6-1/2" Gr5 Z Hex Bolt	JM0014192
7	3/8"-16 x 3/4" Gr5 Z Hex Bolt	JM0001663

# Jack Assembly



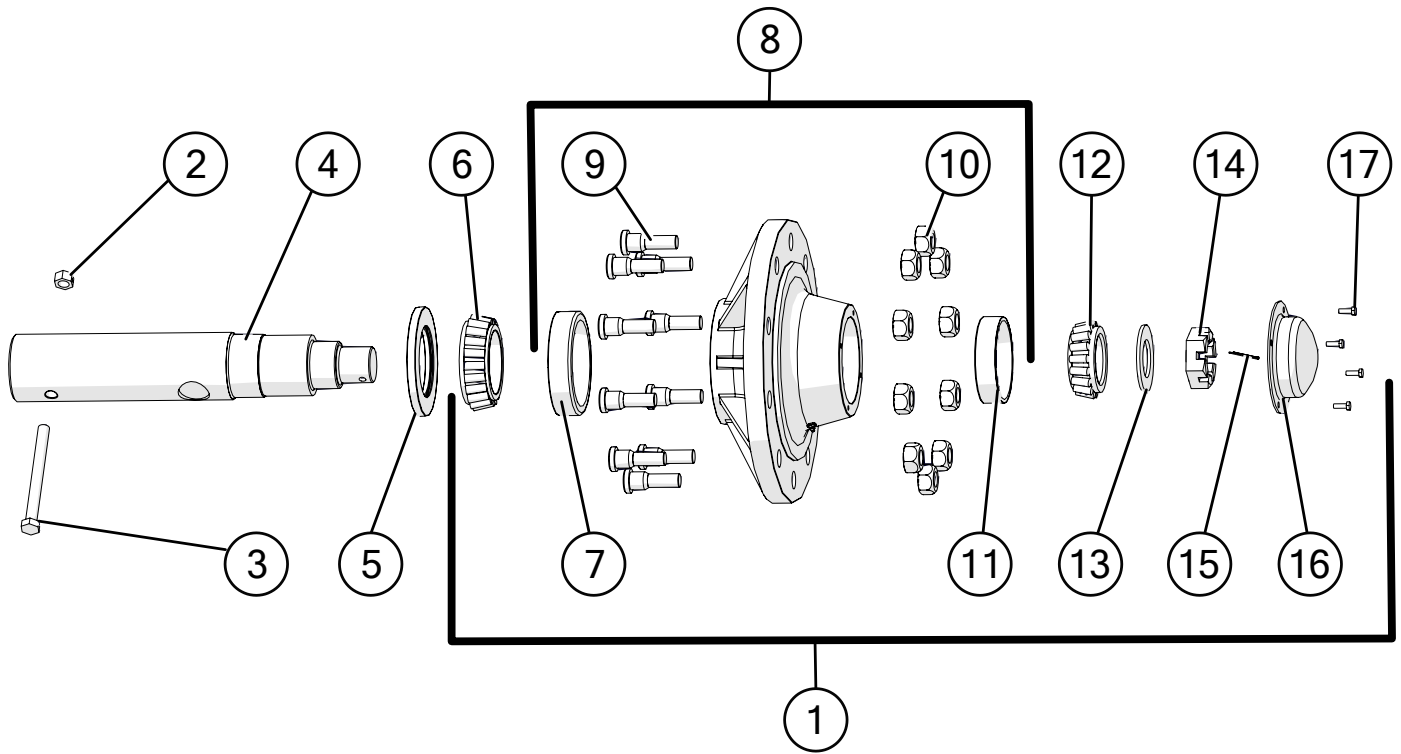
	Description	Part No.
1	1"-8 Gr2 Z Centerlock Hex Nut	JM0002149
2	3/8" x 2-1/2" Wire Lock Pin (38212WLP)	JM0014929
3	Jack Handle for 10,000 lb and Up	JM0037953
4	Jack Assembly (NitroGro & 510ST)	JM0030054
5	5/8"-11 x 2" Gr8 Z Hex Bolt	JM0001771
6	3/4" L Pin (10-9/32" Length)	JM0003076
7	3/16" x 2-1/2" Hair Clip Pin (316HP)	JM0001657
8	1"-8 x 6" Gr5 Z Hex Bolt	JM0002111
9	Jack Mounting Bracket (NitroGro)	JM0031545
10	5/8"-11 Gr2 Z Centerlock Hex Nut	JM0002146

# Wing Rest



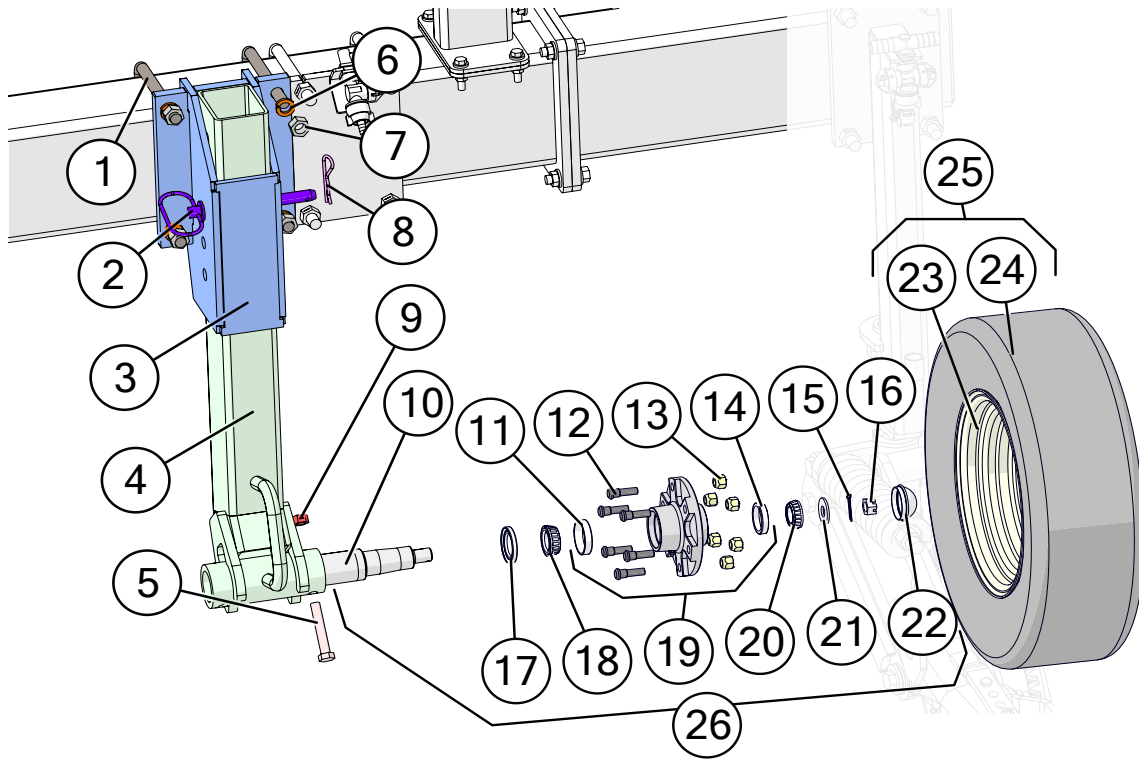
	Description	Part No.
1	Wing Rest Plate (NitroGro 6000)	JM0047598
2	1/2"-13 Gr5 Z SF Hex Nut	JM0002153
3	1/2"-13 x 1-1/2" Gr5 Z SF Hex Bolt	JM0051480

# Hub and Spindle Assembly



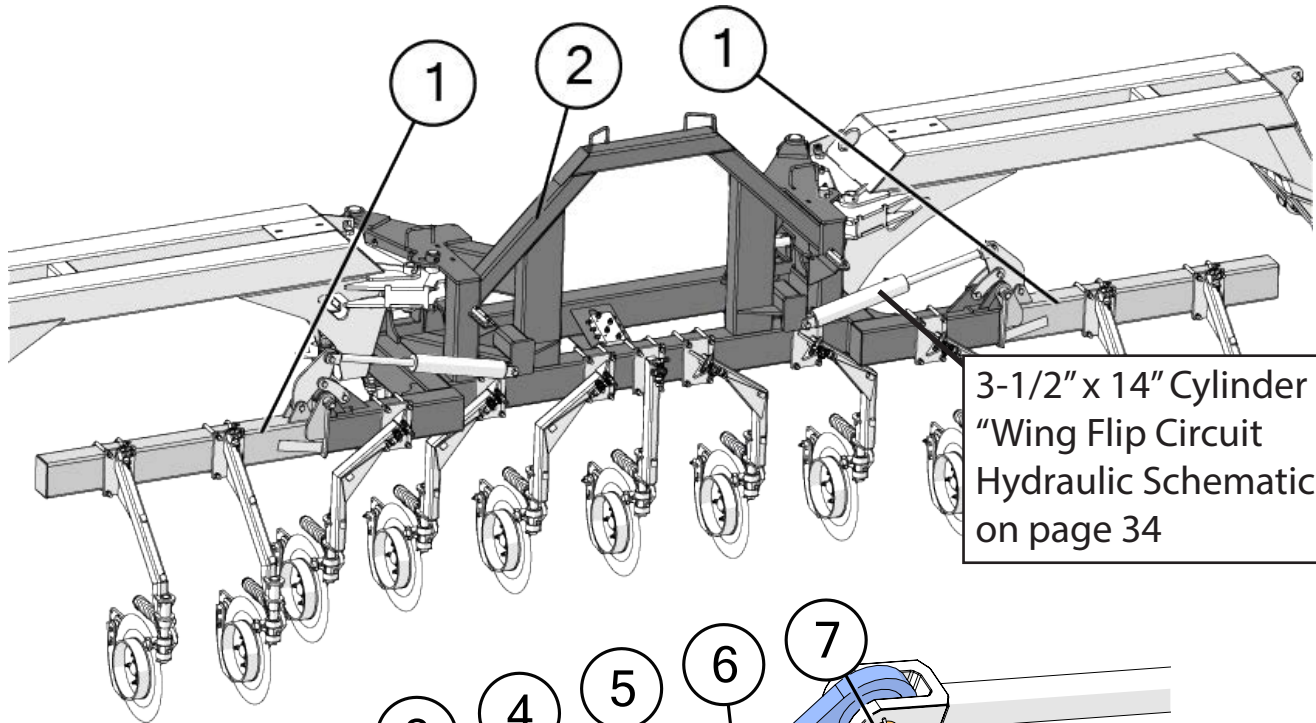
	Description	Part No.
1	W-891 Hub Assembly Complete with 22mm Studs and Nuts (Less Seal and Spindle)	JM0050400
2	1"-8 Gr2 Z Centerlock Hex Nut	JM0002149
3	1"-8 x 7" Gr5 Z Hex Bolt	JM0016689
4	Spindle, 4-1/2" x 22-3/4" - Applicator 6000	JM0048051
5	Seal (4-1/4" ID, 6" OD) for Hub (CR-43771)	JM0018955
6	Large Bearing (HM218248)	JM0018849
7	Large Race (HM218210)	JM0018848
8	Hub with Large and Small Races, 22mm Studs & Nuts (11.13 Pilot) (W-891)	JM0034356
9	Stud 22MM 1.5 x 90MM 3.55L 1.005 Knurl (22-MMS)	JM0019178
10	Wheel Nut 22mm with Washer (22-MMNW)	JM0019192
11	Tapered Bearing Cup (HM212011)	JM0018854
12	Tapered Bearing Cone (HM212049)	JM0018852
13	2-1/8" ID, 3-3/4" OD Flat Washer (3/16")	JM0015900
14	2"-12 Gr2 Castle Hex Nut	JM0015899
15	3/8" x 2-3/4" Z Roll Pin (905945)	JM0018956
16	Dust Cap 6-1/4" OD (for W-881 & W-891 Hub) (909921)	JM0018954
17	1/4"-20 x 1" Gr5 Z Hex Bolt	JM0002095

# Gauge Wheel Assembly

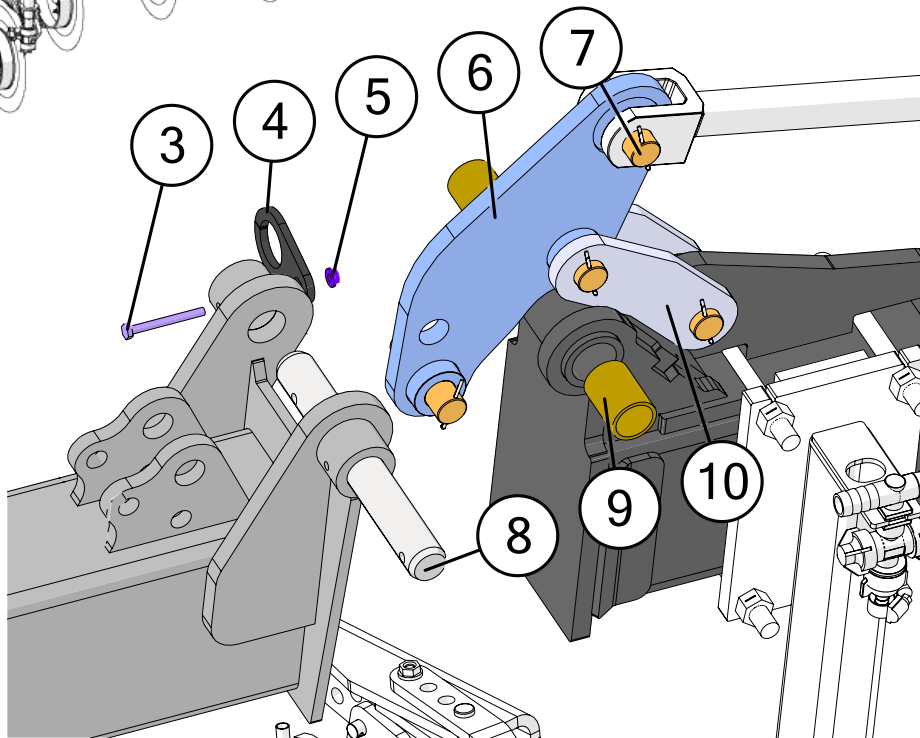


	Description	Part No.
1	5/8"-11 x 7-1/8" x 8-11/16" Square U-Bolt	JM0020901
2	Hitch Pin (5/8" x 6-1/2") (HP-586)	JM0003079
3	Gauge Wheel U-Bolt Mount Weldment (6000 Series)	JM0047347
4	6000 Ambidextrous Gauge Wheel Weldment	JM0077730
5	1/2"-13 x 3" Gr5 Z Hex Bolt	JM0016678
6	5/8" Gr2 Z Lock Washer	JM0051157
7	5/8"-11 Gr2 Z Hex Nut	JM0001522
8	3/16" x 2-1/2" Hair Clip Pin (316HP)	JM0001657
9	1/2"-13 Gr2 Z Centerlock Hex Nut	JM0001511
10	1-3/4" Diameter Spindle (SS-1345C)	JM0026569
11	Large Cup for 6-8 Ton (LM48510) (104580)	JM0026565
12	Wheel Stud for Hub, 6-8 Ton (1/2"-20 x 1-7/8") (4187)	JM0019559
13	1/2"-20 Lug Nut, 6-8 Ton (5552)	JM0003062
14	Small Cup for 6-10 Ton (LM67010) (200500)	JM0026564
15	5/32" x 1-1/2" Cotter Pin	JM0014348
16	3/4"-16 Gr2 Castle Hex Nut	JM0002130
17	Grease Seal, 6-8 Ton (103953)	JM0026572
18	Large Inner Bearing for 6-8 Ton (LM48548) (104579)	JM0019563
19	G25 Hub with Races, Studs and Nuts, 7-8 Ton (105218)	JM0026566
20	Small Outer Cone for 6-10 Ton (LM67048)	JM0019564
21	3/4" USS Z Flat Washer	JM0010006
22	Dust Cap, 6-10 Ton (103969)	JM0026567
23	14" x 6"- 6 Hole Wheel Rim	JM0019535
24	ST215-75D14 Carlisle Sport Trail Tire	JM0019529
25	ST215-75D14 Carlisle Sport Trail Tire and 14x6 - 6 Hole Wheel Rim	JM0019536
26	G25-6 Hub, Spindle, and Bearings Assembly	JM0026571

# Toolbar



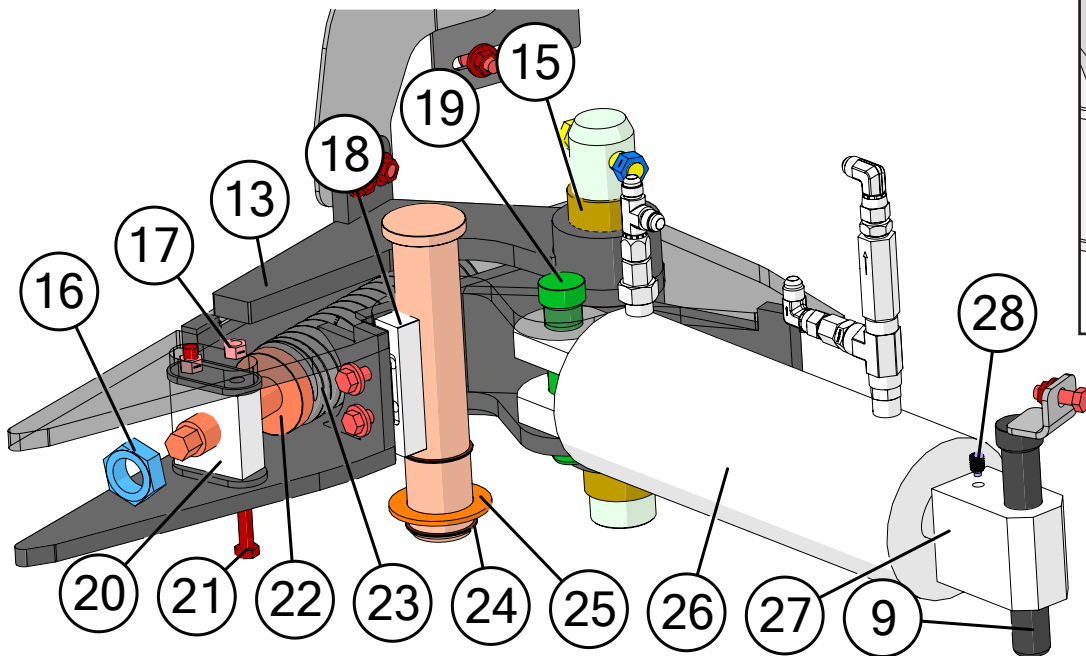
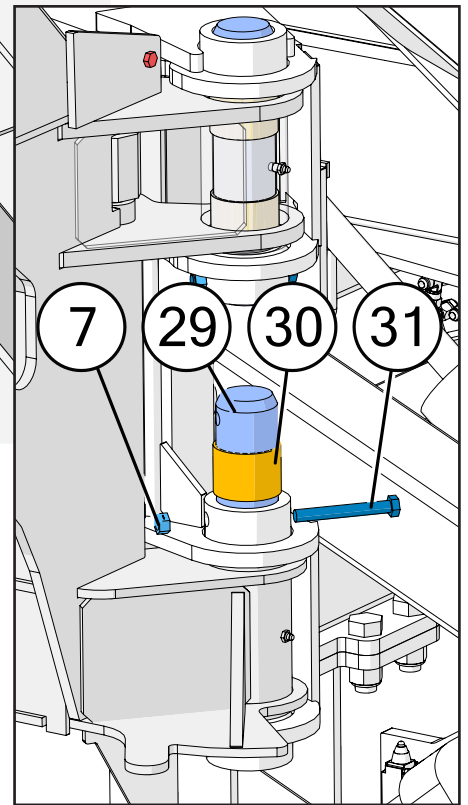
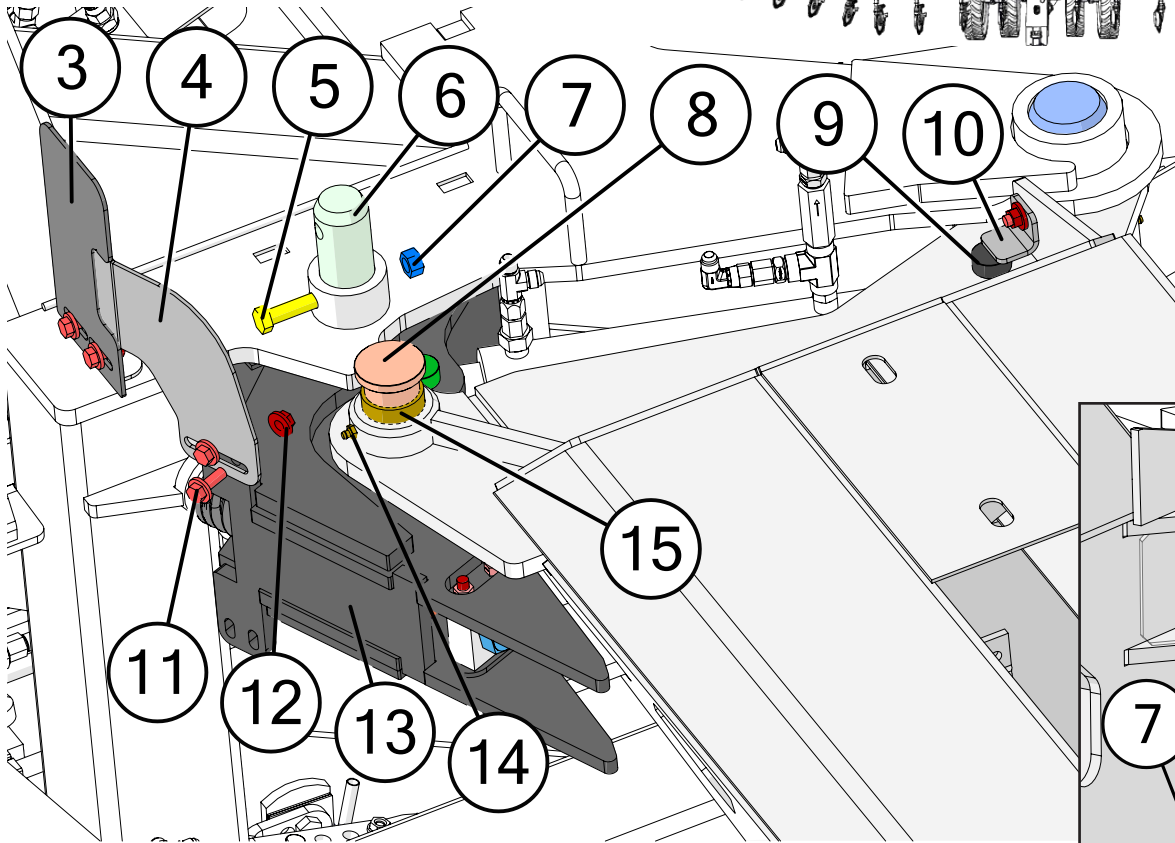
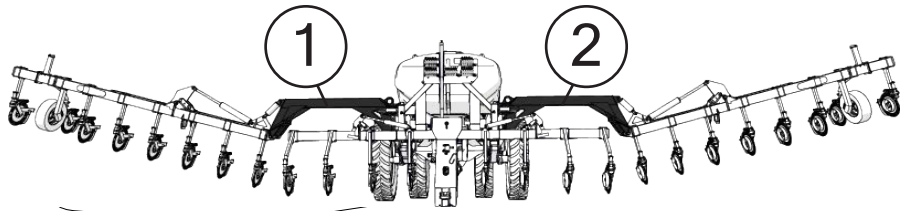
3-1/2" x 14" Cylinder  
 "Wing Flip Circuit  
 Hydraulic Schematic"  
 on page 34



	Description	Part No.
1	Stub Wing Weldment	JM0046687
2	Toolbar Center Section NitroGro 6000	JM0047104
3	1/4"-20 x 2-1/2" Gr5 Z Hex Bolt	JM0001506
4	1-1/2" Pin Keeper Plate (NitroGro 6000)	JM0041482
5	1/4"-20 Gr5 Z SF Hex Nut	JM0001630
6	Stub Wing Main Link Weldment	JM0047263
7	1" x 3-1/2" Clevis Pin with Cotter Pins	JM0001817
8	Applicator Stub Wing Pin	JM0047296
9	1-1/4" ID x 1-1/2" OD x 2" Long Sleeve Composite Bushing	JM0021957
10	Stub Wing Small Linkage	JM0047264



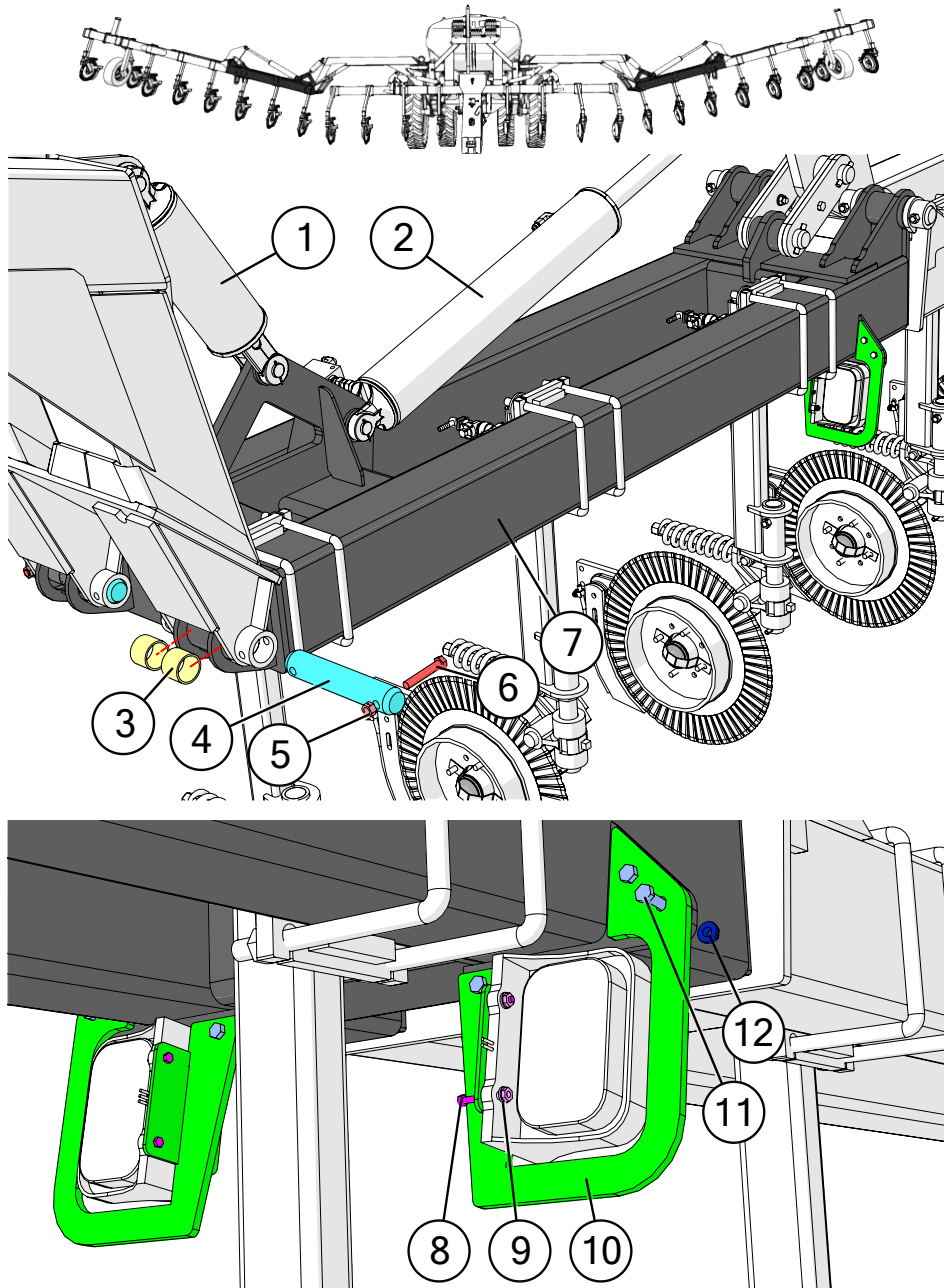
# Inside Wing and Connections



# Inside Wing and Connections

	Description	Part No.
1	Inside Wing Weldment (Passenger's Side) (6018, 6026)	JM0045028
2	Inside Wing Weldment (Driver's Side) (6018, 6026)	JM0047901
3	6000 Series Latch Sign - Stationary	JM0068709
4	6000 Applicator Latch Sign - Moving (Driver Side)	JM0062740
4	6000 Applicator Latch Sign - Moving (Passenger Side)	JM0068715
5	1/2"-13 x 3" Gr5 Z Hex Bolt	JM0016678
6	11-1/4" Clevis Pin (1-3/4" Diameter) - Latch Pin	JM0053933
7	1/2"-13 Gr2 Z Centerlock Hex Nut	JM0001511
8	6000 Applicator Spinning Latch Pin (1-3/4" O.D. 9" Long)	JM0077595
9	1" Pin for 4" x 8-1/2" Latch Cylinder - Clevis End	JM0061801
10	Bolt Pin Keeper (NitroGro 6000 Series)	JM0045972
11	3/8"-16 x 1" Gr5 Z SF Hex Bolt	JM0002092
12	3/8"-16 Gr5 Z SF Hex Nut	JM0002152
13	Spring Latch Weldment (NitroGro 6000 Series)	JM0062110
14	1/8" NPT Male x 11/16" Straight Grease Fitting	JM0009756
15	1-3/4" ID x 2" OD x 1-1/2" Sleeve Composite Bushing	JM0030328
16	1"-8 Gr2 Z Hex Jam Nut	JM0001705
17	3/8"-16 Gr2 Z Centerlock Hex Nut	JM0001512
18	6000 Applicator Latch Wear Shoe	JM0061649
19	1" Pin for 4x8.5 Latch Cylinder - Butt End	JM0073959
20	6000 Applicator Spring Latch Compression Plate	JM0060661
21	3/8"-16 x 3-1/2" Gr5 Z Hex Bolt	JM0001986
22	Press-Fit Latch Screw Spring Plunger	JM0074374
23	3/8" x 2-7/16" OD x 10" Long Wire Compression Spring	JM0068707
24	1-3/4" Shaft Diameter Spirolox WSM-175 Retaining Ring	JM0043321
25	Swivel Hitch Pin Washer (2-3/4" OD x 1-25/32" ID)	JM0043322
26	4" Bore, 8-1/2" Stroke Cylinder Assembly	JM0062922
27	Solid Clevis for 4" x 8-1/2" Cylinder	JM0074197
28	3/8"-16 x 1/2" Socket Set Screw Nylon Tip	JM0037255
29	11-1/4" Clevis Pin (2-1/2" Diameter)	JM0046032
30	2-1/2" ID x 2-3/4" OD x 2" Long Sleeve Composite Bushing	JM0062417
31	1/2"-13 x 4" Gr5 Z Hex Bolt	JM0048014

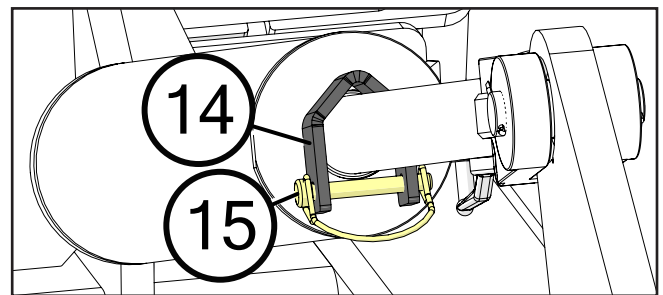
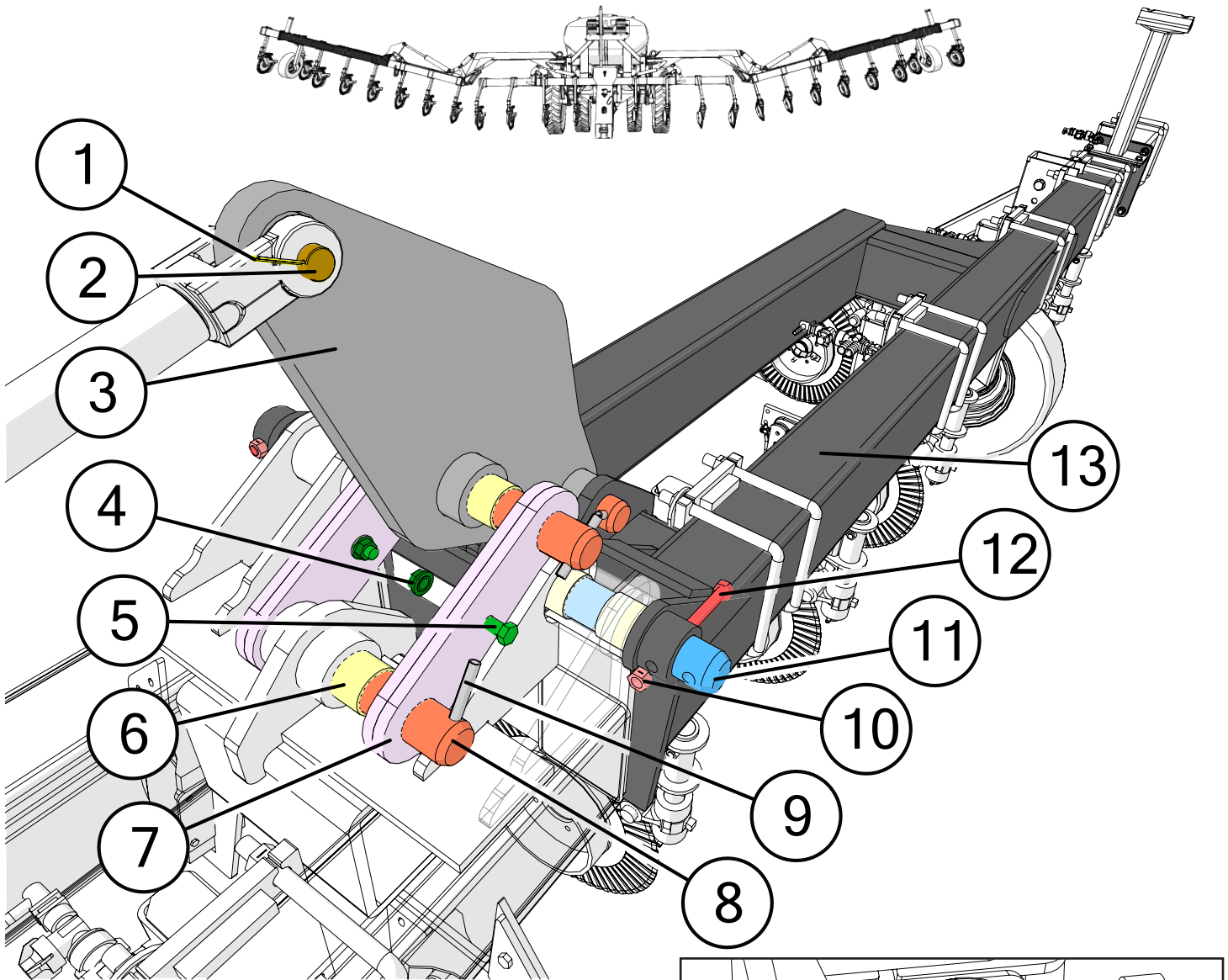
# Middle Wing and Connections



	Description	Part No.
1	4" Bore, 8" Stroke Welded Hydraulic Cylinder - Heavier Clevises	JM0030757
1	Seal Kit for 4" x 8" Hydraulic Cylinder (JD-608)	JM0039241
2	4" Bore, 24" Stroke Welded Hydraulic Cylinder - Heavier Clevises	JM0030730
2	Seal Kit for 4" x 24" Hydraulic Cylinder (JD-609)	JM0039242
3	1-3/4" ID x 2" OD x 1-1/2" Sleeve Composite Bushing	JM0030328
4	9-1/4" Clevis Pin (1-3/4" Diameter)	JM0046030
5	1/2"-13 Gr2 Z Centerlock Hex Nut	JM0001511
6	1/2"-13 x 3" Gr5 Z Hex Bolt	JM0016678
7	Middle Wing Weldment (6000 Series)	JM0045238
8	#10-24 x 13/16" Gr5 Z Hex Bolt	JM0048013
9	#10-24 Gr5 Z SF Hex Nut	JM0009983
10	Tail Light Bracket Weldment	JM0047850
11	5/16"-18 x 1" Gr5 Z Hex Bolt	JM0001743
12	5/16"-18 Gr5 Z SF Hex Nut	JM0014049

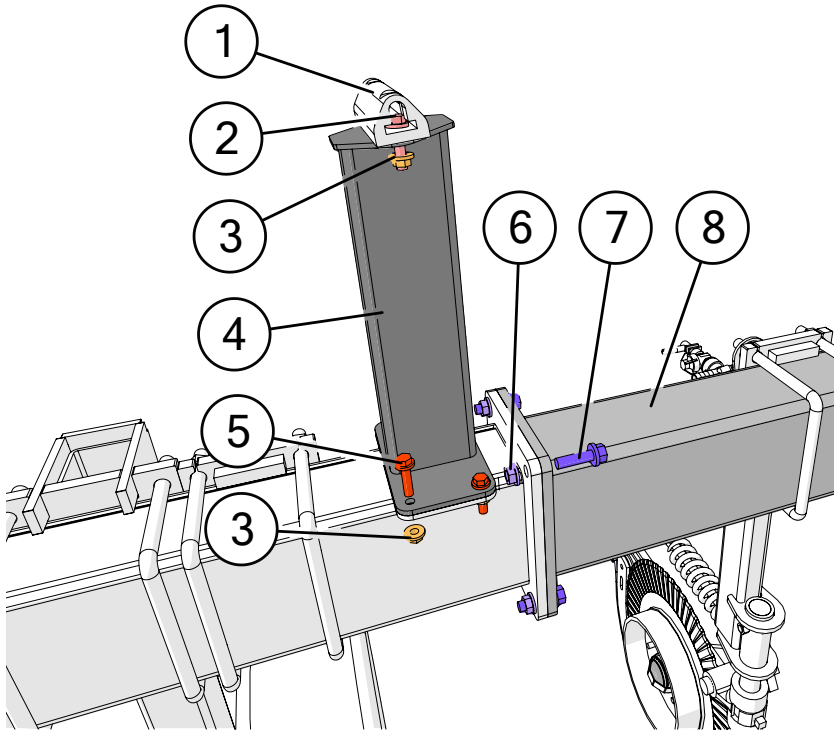


# Outside Wing and Connections



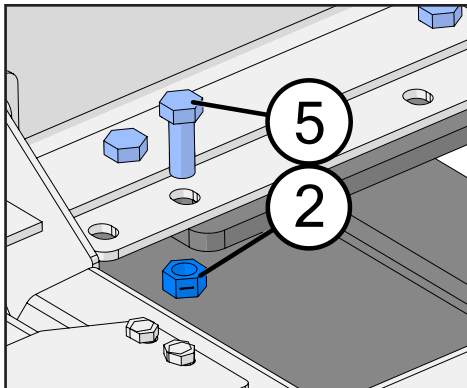
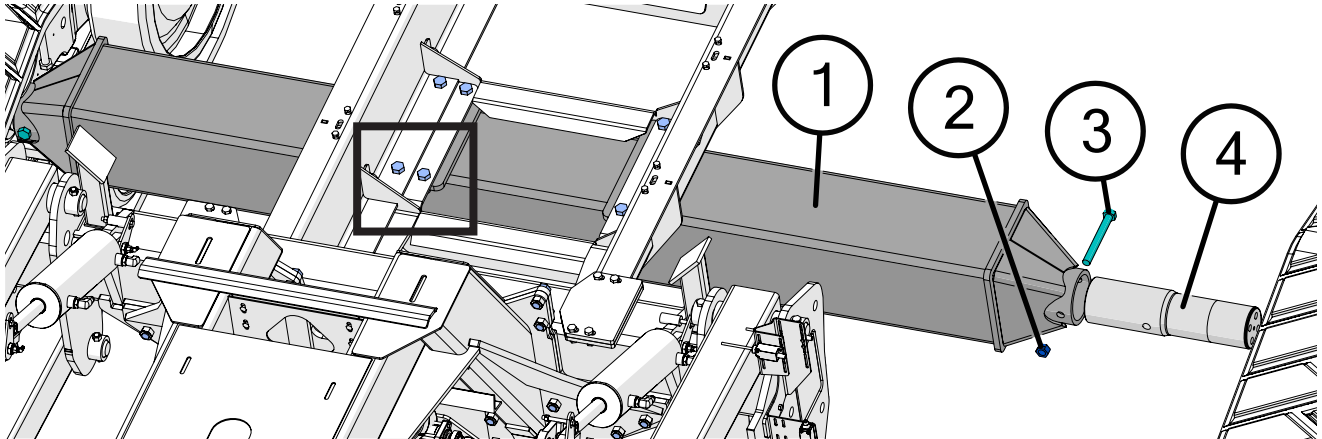
Description	Part No.
1 Cotter Pin (for 1" Diameter Clevis Pin)	JM0003064
2 1" x 3-2/5" Clevis Pin	JM0001816
3 Long Fold Straight Auger Master Link Weldment	JM0046033
4 1/2"-13 Gr5 Z SF Hex Nut	JM0002153
5 1/2"-11 x 1-3/4" Gr5 Z SF Hex Bolt	JM0047937
6 1-3/4" ID x 2" OD x 1-1/2" Sleeve Composite Bushing	JM0030328
7 Outside Wing Slave Link	JM0047457
8 7-1/8" Clevis Pin (1-3/4" Diameter)	JM0047458
9 7/16" x 2-3/4" Z Roll Pin	JM0009895
10 1/2"-13 Gr2 Z Centerlock Hex Nut	JM0001511
11 9-1/4" Clevis Pin (1-3/4" Diameter)	JM0046030
12 1/2"-13 x 3" Gr5 Z Hex Bolt	JM0016678
13 Outside Wing Weldment (Driver Side)	JM0047908
13 Outside Wing Weldment (Passenger Side)	JM0045296
14 1.75" Hydraulic Cylinder Rod Spacer	JM0086287
15 3/8" x 2-1/2" Wire Lock Pin (38212WLP)	JM0014929

# Wing End and Wing Prop



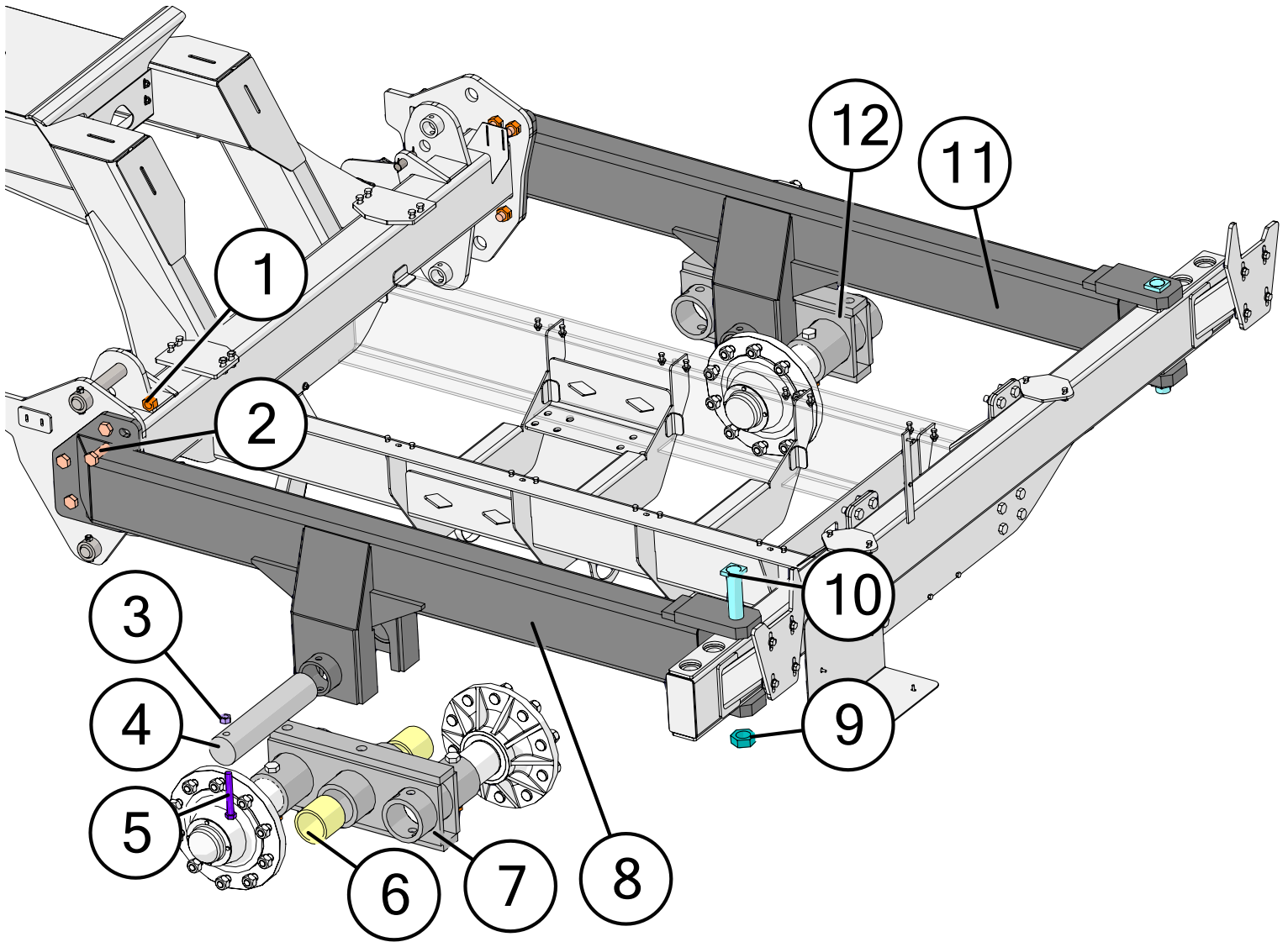
	Description	Part No.
1	6" x 1-7/8" Auger Rest Triangle Pad	JM0037644
2	3/8"-16 x 1" Gr5 Z SF Hex Bolt	JM0002092
3	3/8"-16 Gr5 Z SF Hex Nut	JM0002152
4	2600 Gallon Tank Wing Prop	JM0047490
5	3/8"-16 x 1-1/2" Gr5 Z SF Hex Bolt	JM0001633
6	1/2"-13 Gr5 Z SF Hex Nut	JM0002153
7	1/2"-11 x 1-3/4" Gr5 Z SF Hex Bolt	JM0047937
8	25 Row Wing Extension (21" Tube Length)	JM0047462

# Track Axle



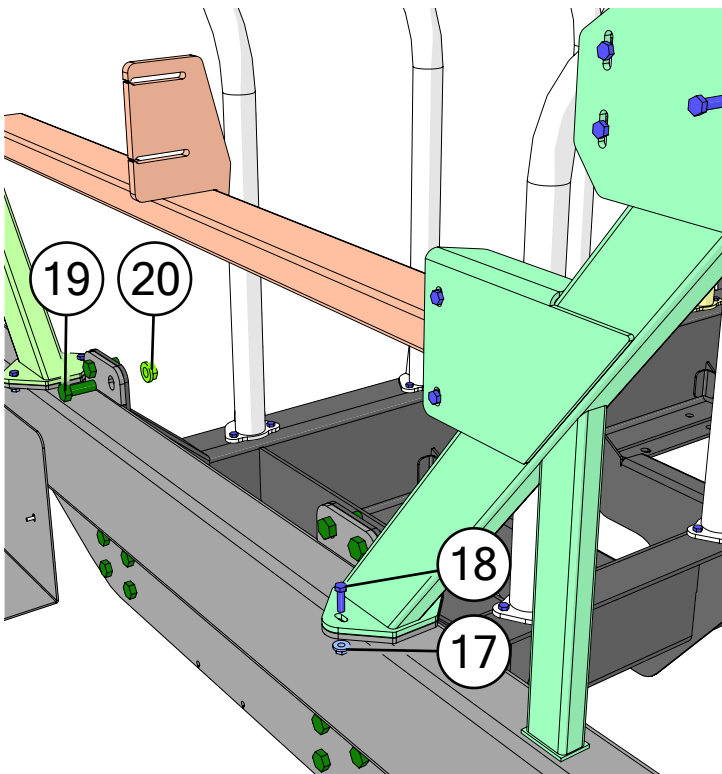
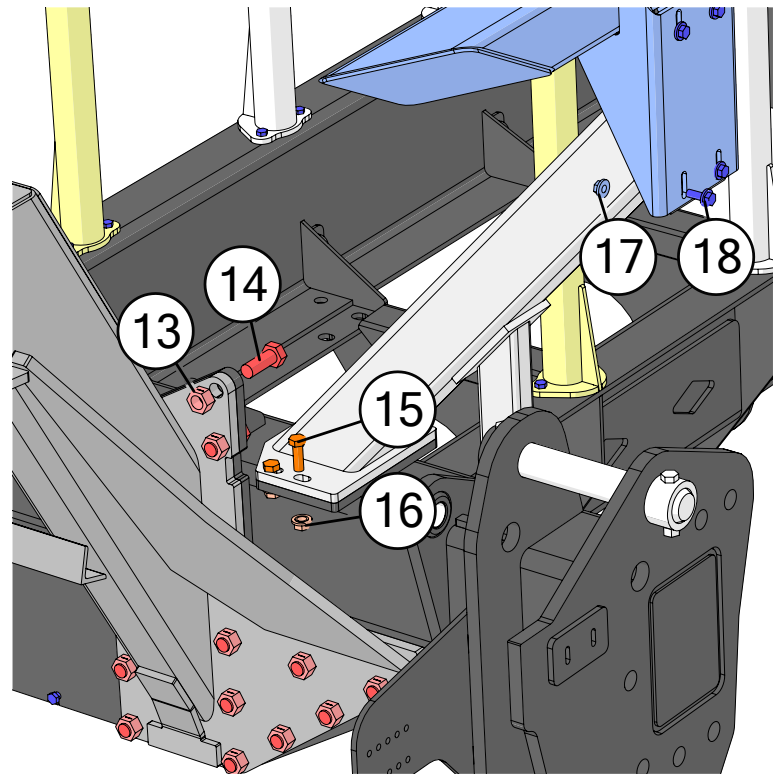
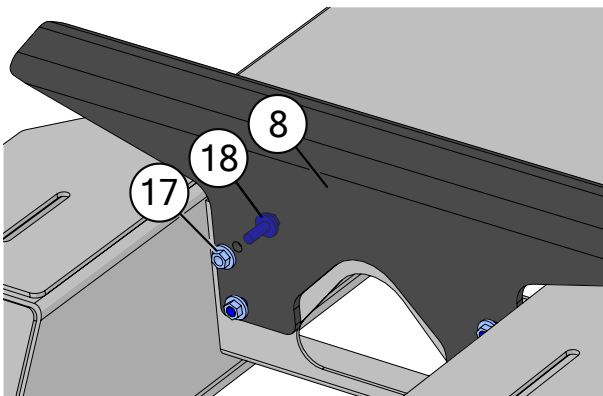
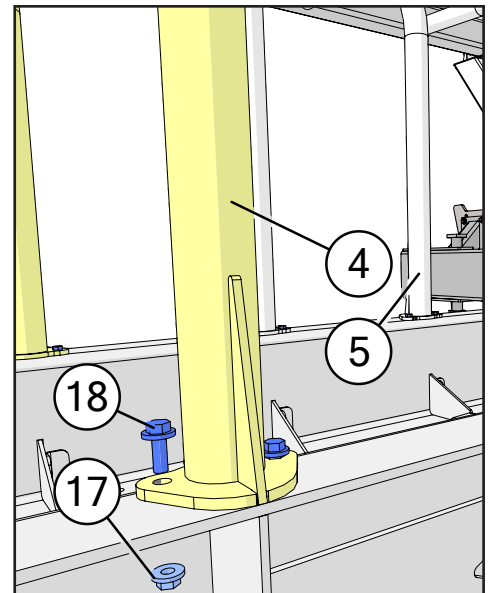
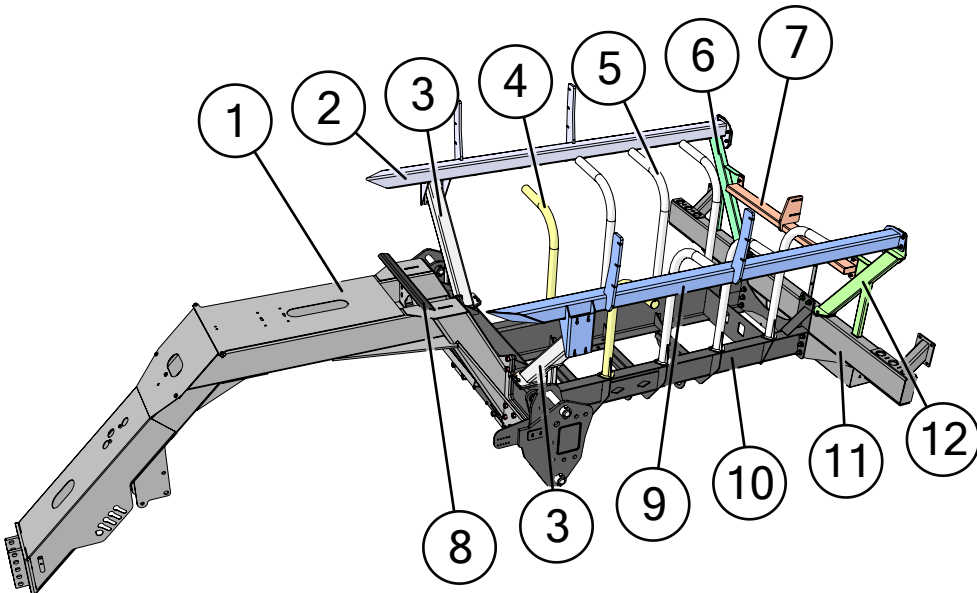
	Description	Part No.
1	6000 Series Applicator Track Axle Weldment	JM0053752
2	3/4"-10 Gr2 Z Centerlock Hex Nut	JM0002147
3	3/4"-10 x 6-1/2" Gr5 Z Hex Bolt	JM0016684
4	6000 Series Applicator Track Axle Spindle	JM0053751
5	3/4"-10 x 2" Gr5 Z Hex Bolt	JM0002106

# Walking Dual Wheel Assembly



	Description	Part No.
1	1"-8 Gr2 Z Centerlock Hex Nut	JM0002149
2	1"-8 x 3" Gr5 Z Hex Bolt	JM0016686
3	3/4"-10 Gr2 Z Centerlock Hex Nut	JM0002147
4	3-3/4" x 17-1/2" Pivot Pin (334PP)	JM0019928
5	3/4"-10 x 5-1/2" Gr5 Z Hex Bolt	JM0015522
6	3-3/4" ID, 4-1/2" OD Bronze Bushing (4" Lg) (BB-334)	JM0010570
7	Triple Pivot Weldment - Close Coupled Walker (Driver's Side)	JM0046012
8	Walking Axle Assembly (Driver's Side) - NitroGro (7,000 lbs.)	JM0045919
9	1-3/4"-12 Z Gr2 Hex Jam Nut	JM0009752
10	1-3/4" x 14-1/4" Bolt with 2" Thread	JM0081611
11	Walking Axle Assembly (Passenger's Side) - NitroGro (7,000 lbs.)	JM0045526
12	Triple Pivot Weldment - Close Coupled Walker (Passenger's Side)	JM0037521

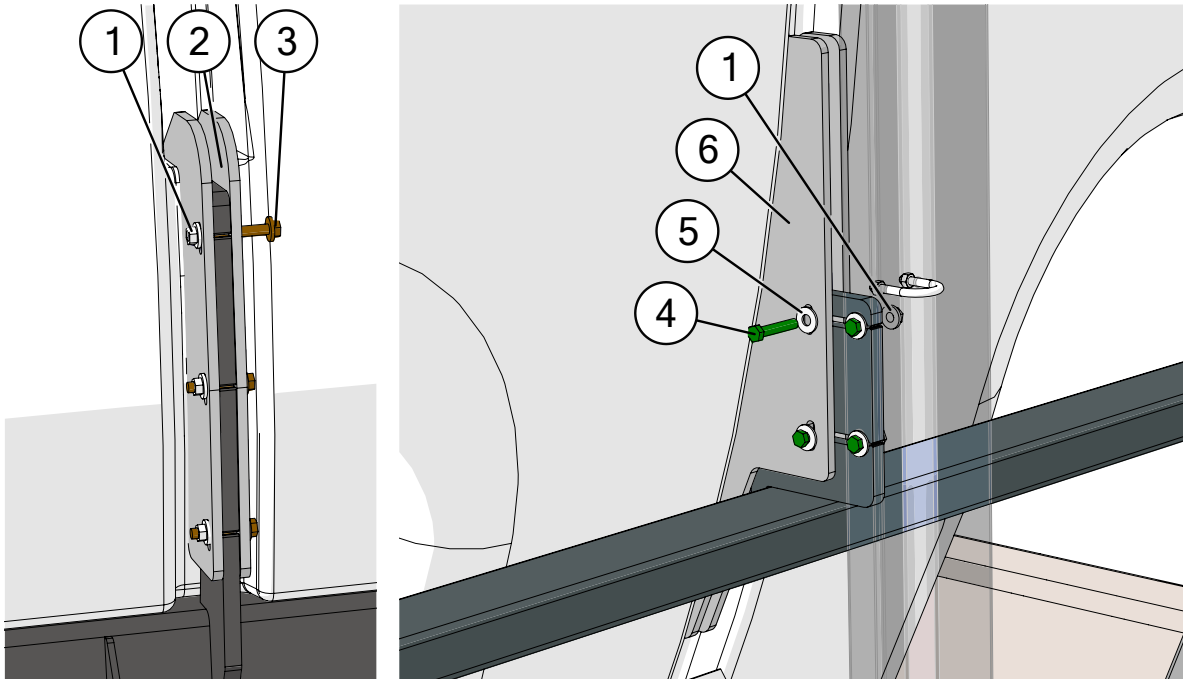
# Tank Supports



# Tank Supports

	Description	Part No.
1	Base Frame Weldment - NitroGro (Bolt-On Tongue)	JM0058146
2	Side Tank Support Tube Weldment	JM0046878
3	Front Tank Support Tube Weldment	JM0046875
4	Tank Support Rib Weldment (33-5/32" Height)	JM0046591
5	Tank Support Rib Weldment (37-7/8" Height)	JM0046594
6	Tank Support Rear Tube Weldment (Passenger's Side)	JM0046880
7	Tank Rear Support Tube Weldment	JM0047584
8	Front Tank Support	JM0046600
9	Tank Support Tube Weldment	JM0047816
10	Base Frame Weldment - NitroGro	JM0058152
11	Bolt on Axle Rear Cross Tube for Single Wheels	JM0053784
11	Uni-Frame Rear - Tandems Tube	JM0053810
12	Tank Support Rear Tube Weldment (Driver's Side)	JM0047819
13	3/4"-10 GrC YZ Distorted Thread Hex Nut	JM0074456
14	3/4"-10 x 2" Gr8 YZ Hex Bolt	JM0041923
15	1/2"-13 x 1-1/2" Gr5 Z Hex Bolt	JM0002100
16	1/2"-13 Gr5 Z SF Hex Nut	JM0002153
17	3/8"-16 Gr5 Z SF Hex Nut	JM0002152
18	3/8"-16 x 1" Gr5 Z SF Hex Bolt	JM0002092
19	3/4"-10 x 2" Gr5 Z Hex Bolt	JM0002106
20	3/4"-10 Gr5 Z SF Hex Nut	JM0009921

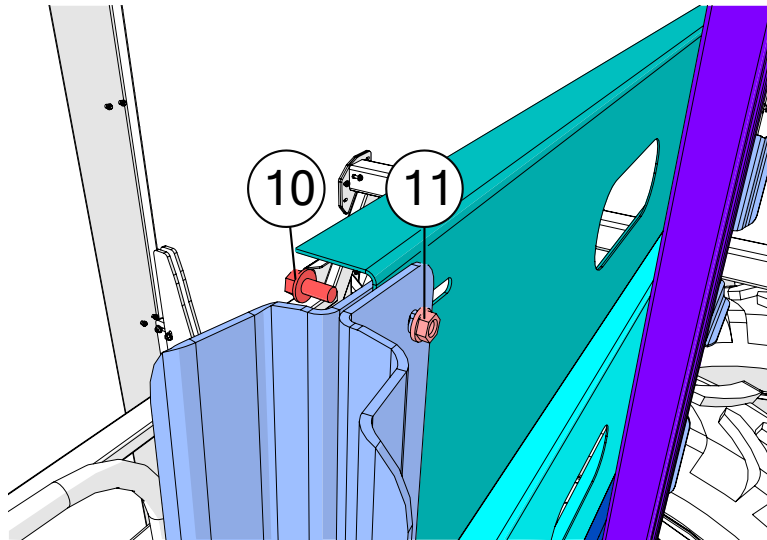
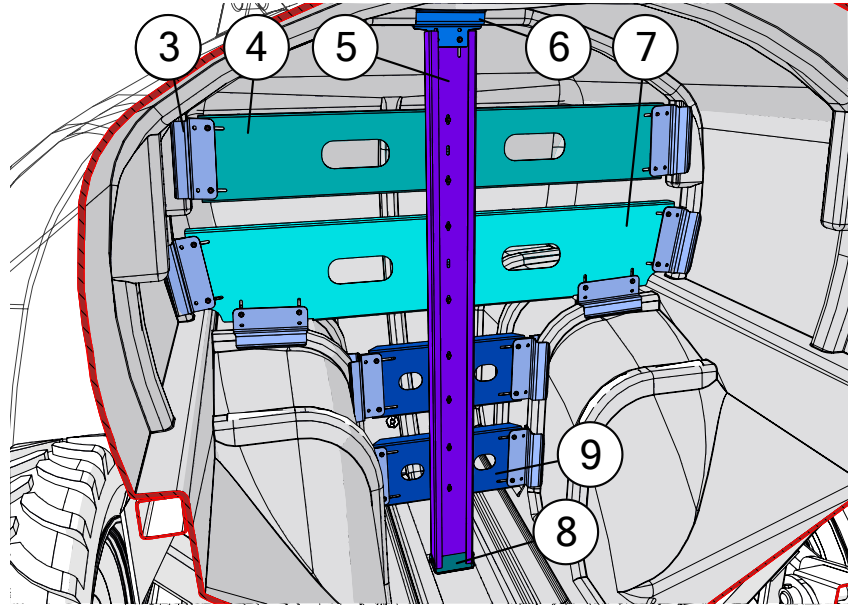
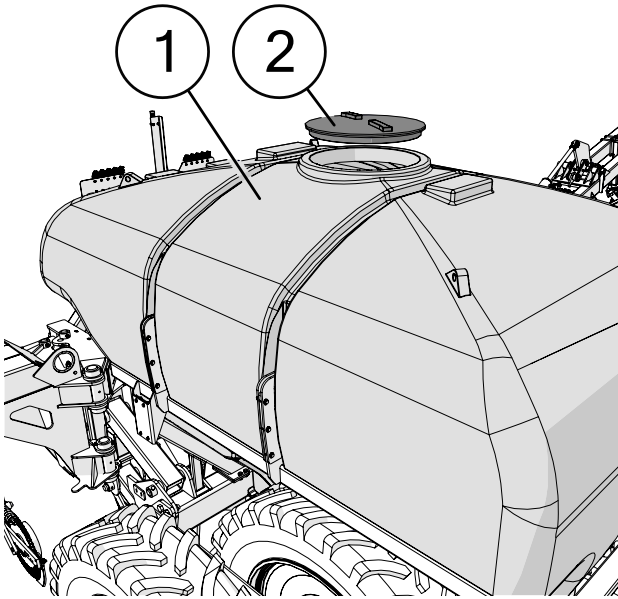
## Tank Strap Down



	Description	Part No.
1	3/8"-16 Gr5 Z SF Hex Nut	JM0002152
2	Vertical Bolt-on Tank Support	JM0047572
3	3/8"-16 x 2" Gr5 Z SF Hex Bolt	JM0016070
4	3/8"-16 x 2" Gr5 Z Hex Bolt	JM0001510
5	3/8" USS Flat Washer	JM0003061
6	Rear Vertical Tank Support Plate	JM0047583

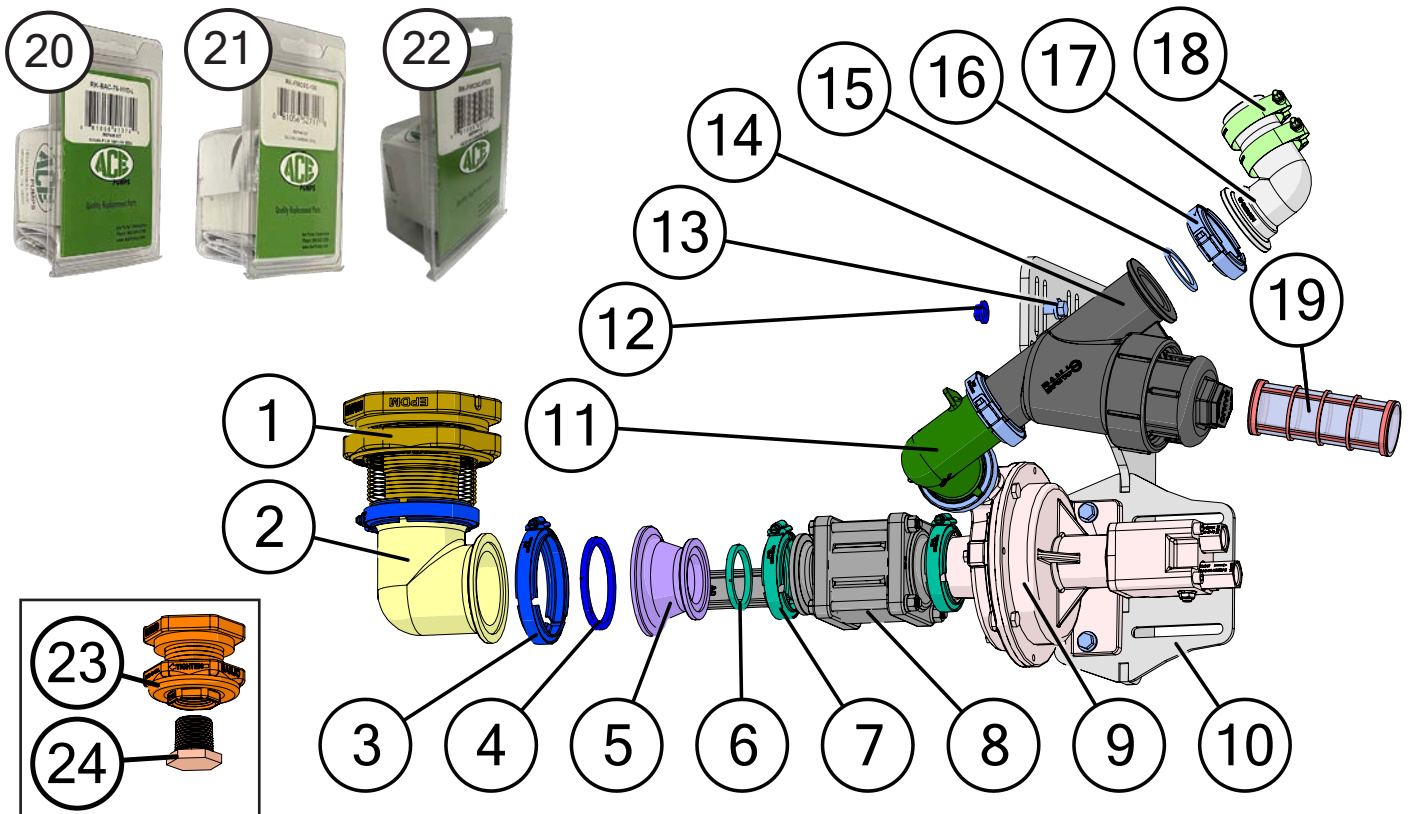


# Tank



	Description	Part No.
1	2600 Gallon Rounded Tank	JM0046439
2	Norwesco 22in Ventless Lid Assembly - 63863	JM0047873
3	Applicator Poly Tank Baffle - Clamp for Baffle	JM0047722
4	Applicator Poly Tank Baffle - 2600 Gallon Specific Tank Baffle	JM0047728
5	Applicator Poly Tank Baffle - Center Pillar	JM0046872
6	Applicator Poly Tank Baffle - Clamp for Center Pillar	JM0047726
7	Applicator Poly Tank Baffle - Large Lower Baffle	JM0046874
8	Applicator Poly Tank Baffle - Pillar Foot	JM0047712
9	Applicator Poly Tank Baffle - Small Baffle	JM0046873
10	3/8"-16 x 3/4" SS SF Hex Bolt	JM0048129
11	3/8"-16 SS SF Top Locking Hex Nut	JM0048132

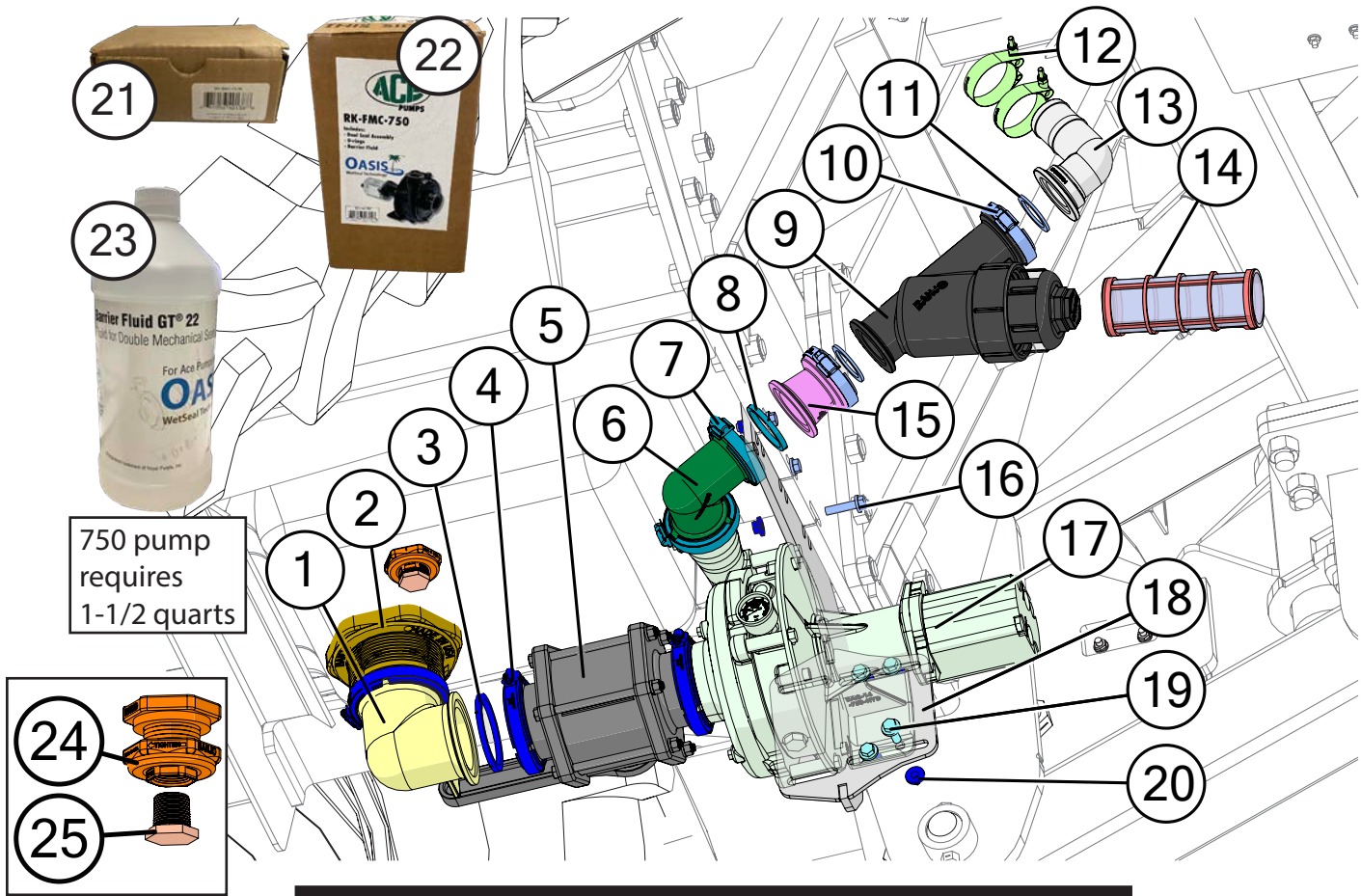
# Hydraulic 155 ACE Pump and Manifold



	Description	Part No.
1	3" MNF x 3" FNPT Tank Fitting BTM DRN	JM0035114
2	M300 Manifold Flange x M300 Manifold Flange; 90 Degree	JM0033979
3	Manifold Flange Clamp for M300 Fittings	JM0035237
4	Manifold Gasket for M300 Fittings with Rib	JM0021239
5	Reducer - 3" to 2" Full Port Manifold Flange	JM0033983
6	Manifold Gasket for M220 Fittings	JM0035278
7	Manifold Flange Clamp for M220	JM0035238
8	2" Full Port Flange Ball Valve	JM0031370
9	FMCS-155F-HYD-206 - Ace Pump	JM0061538
10	6000 Applicator Pump Mounting Bracket SN 2300000 and Higher	JM0078679
11	90 Deg Coupling - 2" Manifold Flange	JM0033991
12	3/8"-16 Gr5 Z SF Hex Nut	JM0002152
13	3/8"-16 x 1-1/2" Gr5 Z SF Hex Bolt	JM0001633
14	Manifold Y Strainer - M200 Manifold Flange, 30 Mesh	JM0033803
15	Manifold Gasket for M200 Fittings	JM0021145
16	Manifold Flange Clamp for M200 Fittings	JM0035251
17	2" Manifold x 2" Hose Barb; 90 Degree Elbow	JM0035141
18	T-Bolt Hose Clamp 2" Hose, 2-5/16" Min OD	JM0035247
19	Strainer Screen - 30 Mesh - LS230	JM0079849
20	Ace 150/155 Pump Hydraulic Side Replacement Seal Kit - RK-BAC-75-HYD-L	JM0061310
21	Ace 150 Pump Water Side Replacement Seal Kit - RK-FMCS-150	JM0061308
22	Ace 155 Pump Water Side Replacement Seal Kit - RK-FMCS-PRO5	JM0080001
23	3/4" NPT Bulkhead Tank Flange Assembly	JM0035222
24	3/4" Polypropylene Pipe Plug	JM0084864

In 2021 the 155 pump replaced the 150 pump. The water side seal kit is different between the 150 and 155 pump. A 150 pump model number is 48874 and a 155 pump model number is FMCS-155F-HYD-SAE.

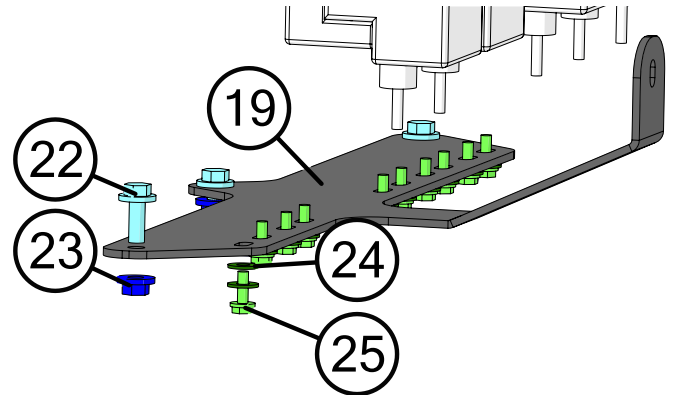
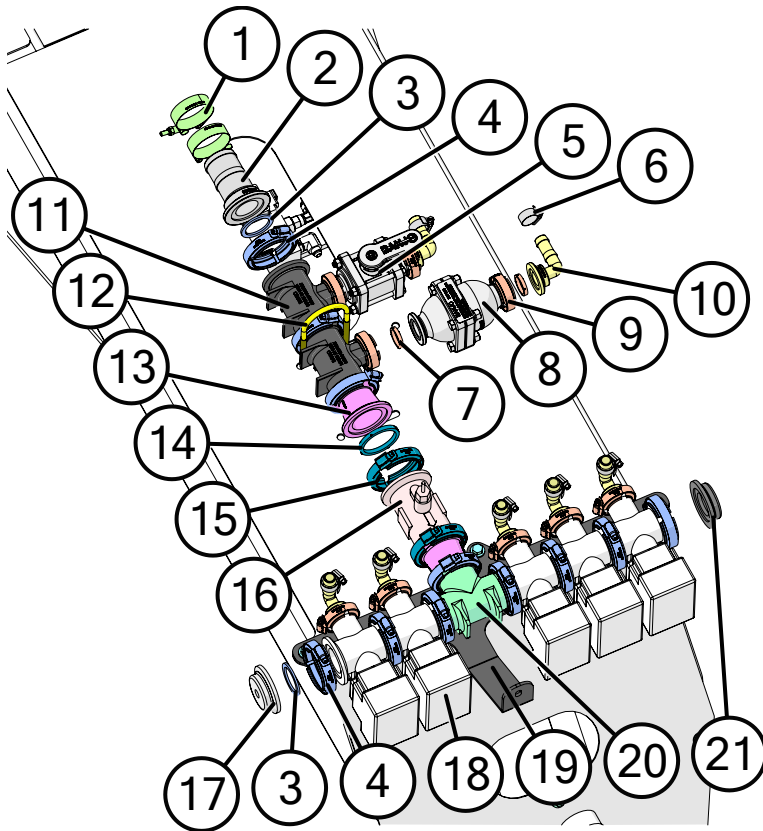
# Hydraulic 750 ACE Pump and Manifold



Description	Part No.
1 M300 Manifold Flange x M300 Manifold Flange; 90 Degree	JM0033979
2 3" MNF x 3" FNPT Tank Fitting BTM DRN	JM0035114
3 Manifold Gasket for M300 Fittings with Rib	JM0021239
4 Manifold Flange Clamp for M300 Fittings	JM0035237
5 Ball Valve - 3" Full Port Flange Manifold	JM0021230
6 90 Degree Coupling - 2" Full Port Manifold Flange	JM0033795
7 Manifold Flange Clamp for M220	JM0035238
8 Manifold Gasket for M220 Fittings	JM0035278
9 Manifold Y Strainer - M200 Manifold Flange, 30 Mesh	JM0033803
10 Manifold Flange Clamp for M200 Fittings	JM0035251
11 Manifold Gasket for M200 Fittings	JM0021145
12 T-Bolt Hose Clamp 2" Hose, 2-5/16" Min OD	JM0035247
13 2" Manifold x 2" Hose Barb; 90 Degree Elbow	JM0035141
14 Strainer Screen - 30 Mesh - LS230	JM0079849
15 2" Full Port Manifold x 2" Manifold Flange Reducer Coupling	JM0035131
16 3/8"-16 x 1-1/2" Gr5 Z SF Hex Bolt	JM0001633
17 FMC-750F-HYD-M22-SAE-BAB Orientation - Ace Pump	JM0079786
18 6000 Applicator Pump Mounting Bracket SN 2300000 and Higher	JM0078679
19 3/8"-16 x 1" Gr5 Z SF Hex Bolt	JM0002092
20 3/8"-16 Gr5 Z SF Hex Nut	JM0002152
21 Ace 750 Pump Hydraulic Side Replacement Seal Kit - RK-BAC-75-M	JM0061314
22 Ace 750 Pump Water Side Replacement Seal Kit - RK-FMC-750	JM0061312
23 1 Quart of Barrier Fluid for Ace 750 Pump (55032)	JM0084482
24 3/4" NPT Bulkhead Tank Flange Assembly	JM0035222
25 3/4" Polypropylene Pipe Plug	JM0084864

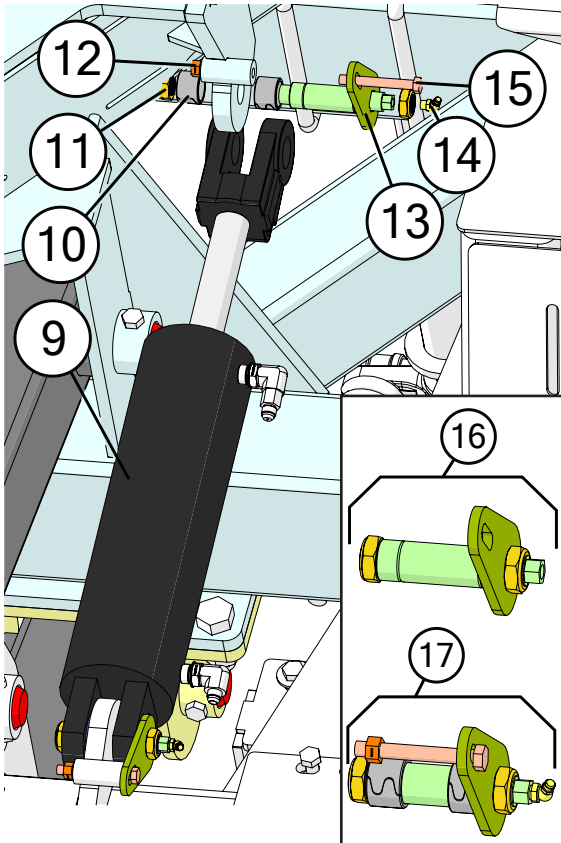
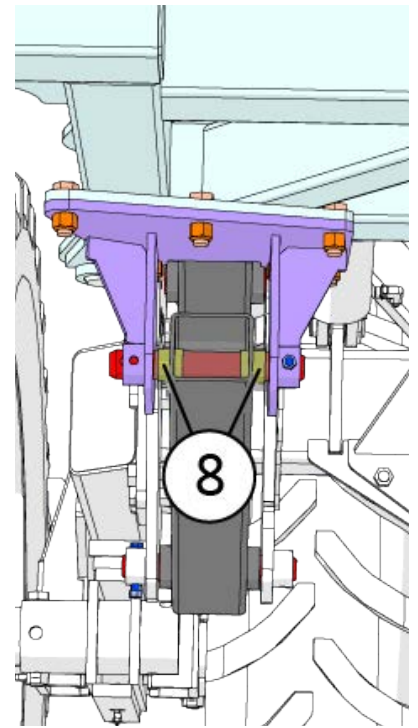
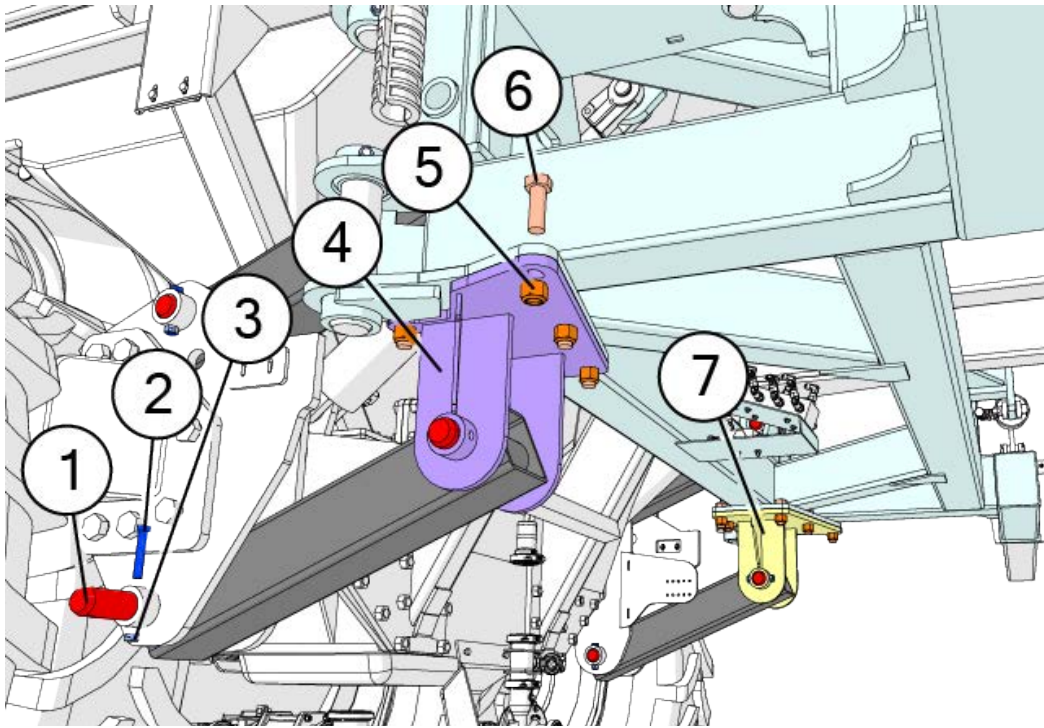


# Raven Manifold



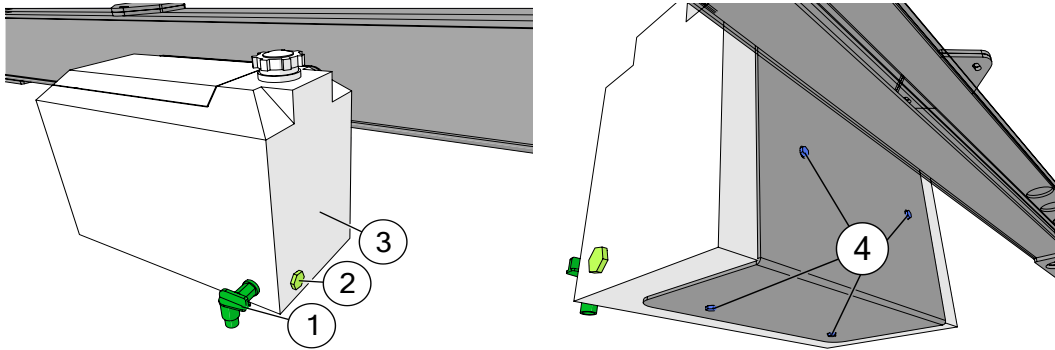
	Description	Part No.
1	T-Bolt Hose Clamp 2" Hose, 2-5/16" Min OD	JM0035247
2	M200 Manifold Flange x 2" Hose Barb	JM0035137
3	Manifold Gasket for M200 Fittings	JM0021145
4	Manifold Flange Clamp for M200 Fittings	JM0035251
5	Ball Valve with M100 Manifold Flange	JM0033824
6	3/4" Hose Clamp SS	JM0039205
7	Manifold Gasket for M100 Fittings with Rib	JM0035239
8	100psi Spike Valve with M100 Manifold Flanges	JM0032499
9	Manifold Flange Clamp for M100 Fittings	JM0032496
10	M100 Manifold Flange x 3/4" Hose Barb; 90 Degree	JM0032501
11	M200 Manifold Flange x M200 Manifold Flange x M100 Manifold Flange; Tee	JM0035116
12	3/8"-16 x 2-1/2" x 5-1/4" Round U-Bolt	JM0018627
13	2" Full Port Manifold x 2" Manifold Flange Reducer Coupling	JM0035131
14	Manifold Gasket for M220 Fittings	JM0035278
15	Manifold Flange Clamp for M220	JM0035238
16	Raven Flow Meter RFM100P M220 Manifold Flange (6000 Series)	JM0038727
17	Manifold Plug for M200 Fittings with 1/4" NPT for Gauge	JM0021147
18	Raven Boom Valve	JM0032478
19	Top Tongue Raven Mounting Bracket	JM0054334
20	M200 Manifold Flange x M200 Manifold Flange x M200 Manifold Flange; Tee	JM0021140
21	Manifold Plug for M200 Fittings	JM0021146
22	3/8"-16 x 1" Gr5 Z SF Hex Bolt	JM0002092
23	3/8"-16 Gr5 Z SF Hex Nut	JM0002152
24	1/4" ID, 3/4" OD Z Flat Washer	JM0003090
25	1/4"-20 x 3/4" Gr5 Z SF Hex Bolt	JM0001642

# Parallel Linkage for Toolbar Height Adjustment



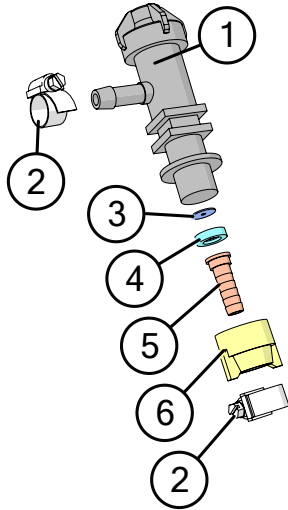
	Description	Part No.
1	11-1/4" Clevis Pin (1-3/4" Diameter)	JM0045307
2	1/2"-13 x 3" Gr5 Z Hex Bolt	JM0016678
3	1/2"-13 Gr2 Z Centerlock Hex Nut	JM0001511
4	Toolbar to Frame Connection Weldment (Passenger Side)	JM0050119
5	7/8"-14 GrC Z Distorted Thread Hex Nut	JM0075662
6	7/8"-14 x 2-1/4" Gr5 Z Hex Bolt	JM0059217
7	Toolbar to Frame Connection Weldment (Driver Side)	JM0050665
8	1-3/4" ID x 2" OD x 1-1/2" Sleeve Composite Bushing	JM0030328
9	4" Bore, 12" Stroke Welded Hydraulic Cylinder	JM0045585
10	1.25OD X 1.0ID X 0.875L Hardened Steel Bushing	JM0077805
11	3/4"-16 Grade 8 High-Strength Steel Thin (Jam) Nylon-Insert Locknut	JM0077584
12	3/8"-16 Gr2 Z Centerlock Hex Nut	JM0001512
13	6000 Series Main Lift Pin Retainer	JM0078867
14	1/8" NPT Male 65 Degree Elbow Grease Fitting	JM0050602
15	3/8"-16 x 3" Gr8 Z Hex Bolt	JM0077815
16	6000 Series Main Lift Hardened Pin 4-1/2" with Keeper and Nuts	JM0078868
17	6000 Series Main Lift Hardened Pin 4-1/2" Main Assembly (Nuts, Bushings, Keeper Bolt)	JM0077814

# Hand Wash Tank



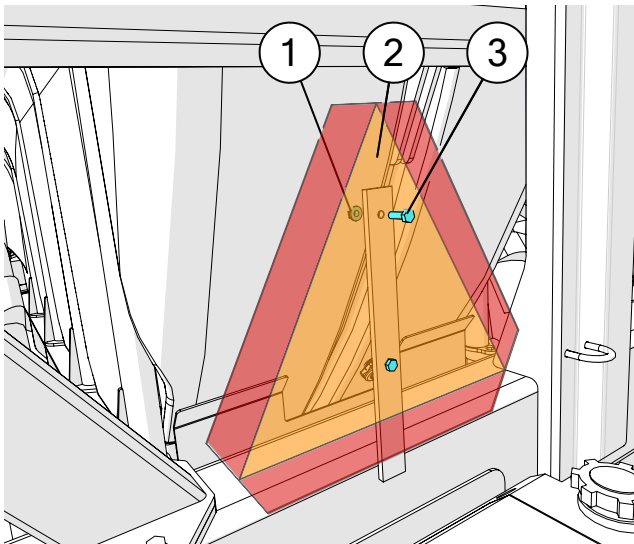
	Description	Part No.
1	Drum Faucet - 3/4" NPT (NitroGro)	JM0039066
2	3/4" NPT PVC Threaded Plug Schedule 40 (NitroGro)	JM0037251
3	9 Gallon Safety/Fresh Water Tank	JM0030587
4	5/16"-18 x 1/2" Gr5 Z Hex Bolt	JM0016674

# Check Valve



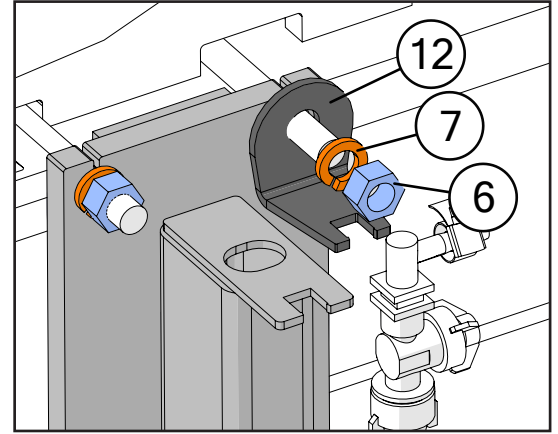
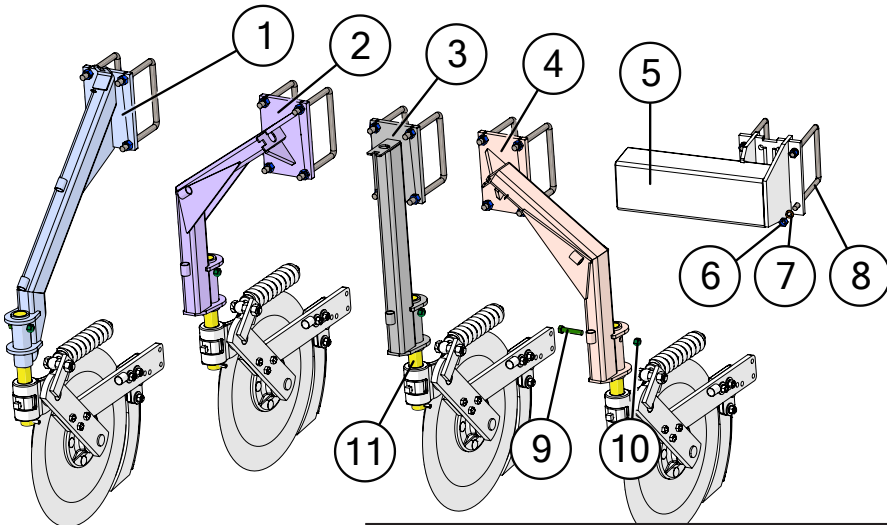
	Description	Part No.
1	Diaphragm Check Valve 3/8" Single Hose (22251-311-375-NYB)	JM0084898
2	3/8" Hose Clamp SS	JM0039206
3	.054 NitroGro Orifice	JM0036373
3	.075 NitroGro Orifice	JM0036374
3	.093 NitroGro Orifice	JM0036375
3	.107 NitroGro Orifice	JM0036376
3	.132 NitroGro Orifice	JM0036377
3	.162 NitroGro Orifice	JM0036378
3	.196 NitroGro Orifice	JM0051020
4	NitroGro Check Valve Seat Gasket	JM0036372
5	3/8" Hose Barb, Poly	JM0036368
6	Quickjet Cap, Black	JM0036371

# Slow Moving Vehicle Sign



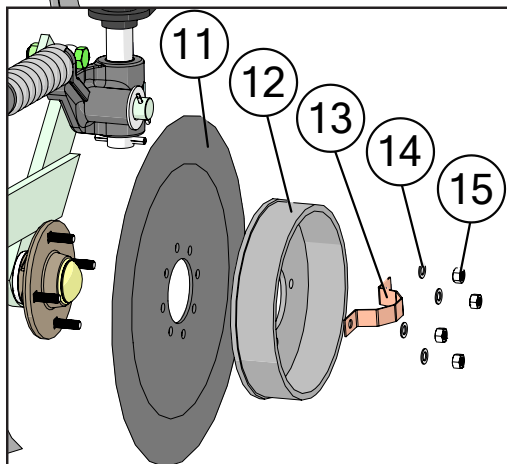
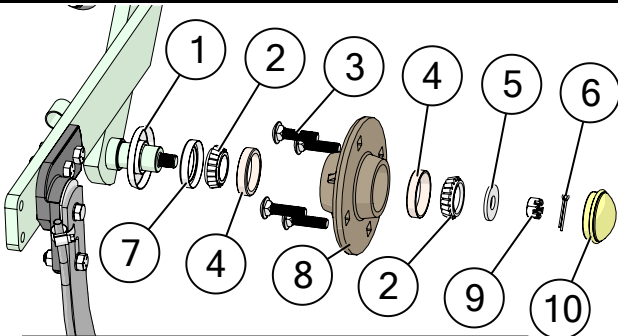
	Description	Part No.
1	1/4"-20 Gr5 Z SF Hex Nut	JM0001630
2	Slow Moving Vehicle Sign	JM0001616
3	1/4"-20 x 3/4" Gr5 Z Hex Bolt	JM0001507

# Coulter Mounts



	Description	Part No.
1	Forward Offset Coulter Mount Weldment (NitroGro 6000 Series)	JM0047336
2	Right Offset Coulter Mount Weldment (NitroGro 6000 Series)	JM0047869
3	Standard Coulter Mount Weldment (NitroGro 6000 Series)	JM0036909
4	Left Offset Coulter Mount Weldment (NitroGro 6000 Series)	JM0047867
5	Offset Weldment Mount for Coulters	JM0058654
6	5/8"-11 Gr5 Z SF Hex Nut	JM0002151
7	5/8" Gr2 Z Lock Washer	JM0051157
8	5/8"-11 x 7-1/8" x 7" Square U-Bolt	JM0043200
9	1/2"-13 x 2-1/2" Gr5 Z Hex Bolt	JM0001648
10	1/2"-13 Gr2 Z Centerlock Hex Nut	JM0001511
11	Shaft 13" - GEP Coulter Mount	JM0043034
11	13" Shaft - Para-Linkage Coulter Mount	JM0049094
12	QJ Mounting Tab - 6000 Specific	JM0050630

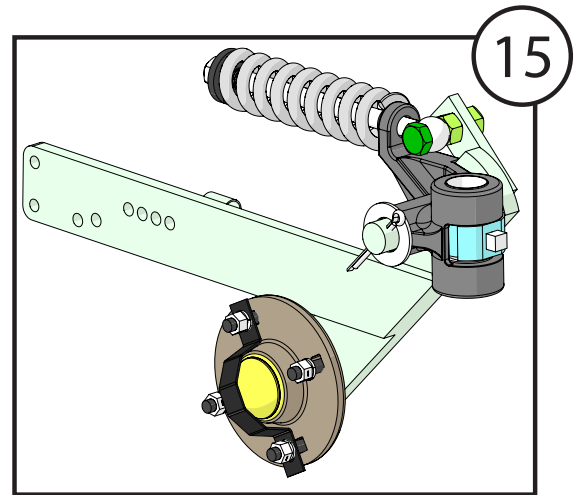
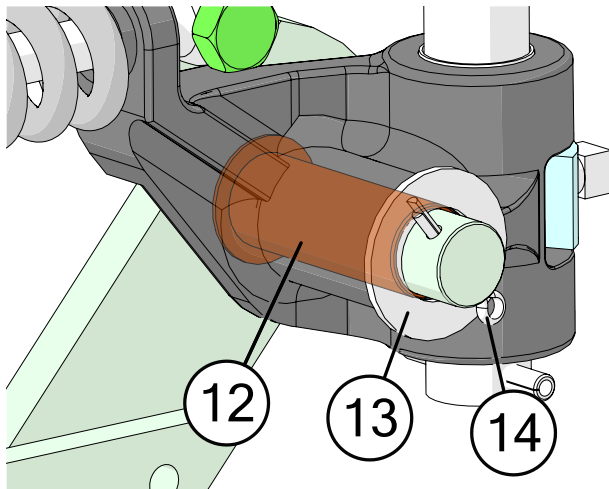
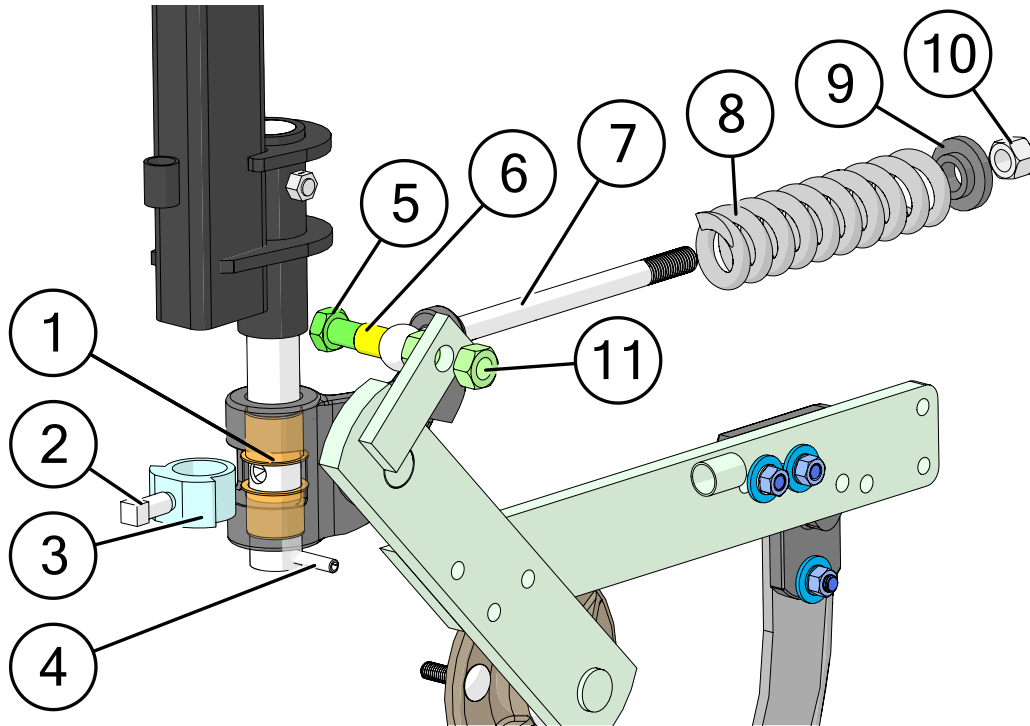
# Coulter Blade and Hub Assembly



	Description	Part No.
1	Seal Protector for GEP Coulter	JM0038267
2	Small Outer Cone for 6-10 Ton (LM67048)	JM0019564
3	1/2"-13 x 2" Gr2 Z Carriage Bolt	JM0038410
4	Small Cup for 6-10 Ton (LM67010) (200500)	JM0026564
5	Hub Washer for GEP Coulter	JM0038278
6	Cotter Pin 1/8" Diameter x 1-1/2" Length	JM0004177
7	Grease Seal for GEP Coulter Hub	JM0038287
8	Hub for GEP Coulter Includes Races	JM0038285
9	3/4"-16 Gr2 Castle Hex Nut	JM0002130
10	Dust Cap for GEP Coulter	JM0038288
11	20" Straight Coulter Blade with Ripple	JM0031269
11	20" Wavy Coulter Blade (5/8" Wave)	JM0038506
12	GC5000 Depth Control Spool	JM0031281
13	Dust Cap Keeper for GEP Coulter	JM0038391
14	1/2" Gr2 Z Lock Washer	JM0019021
15	1/2"-13 Gr2 Z Hex Nut	JM0002124

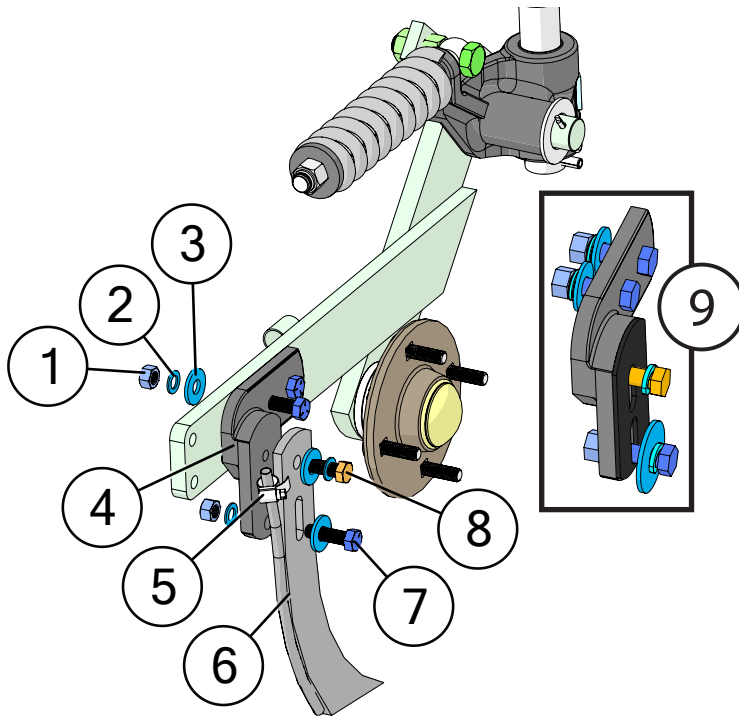


# GEP Coulter Assembly



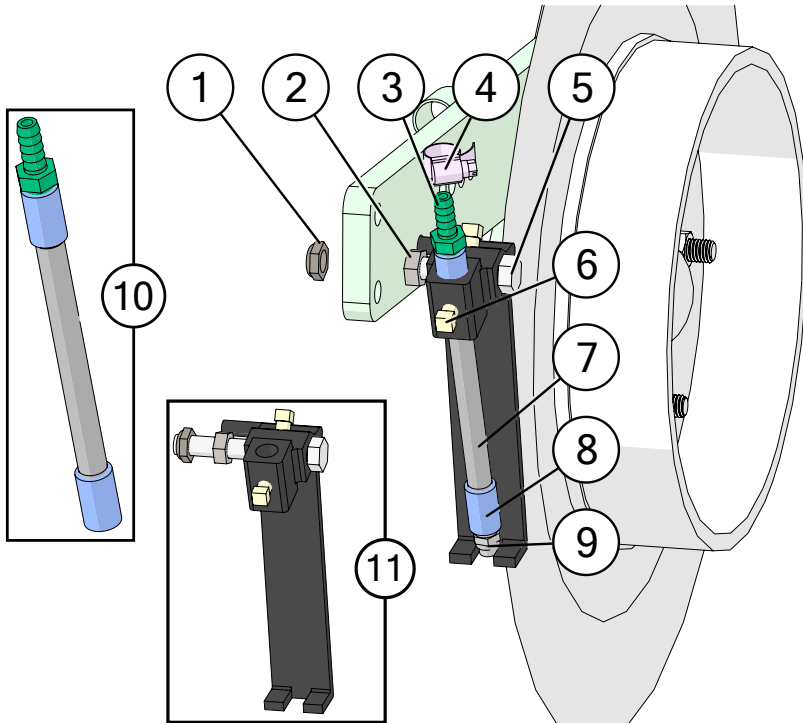
Description	Part No.
1 Shaft Nylon Bushing (GEP Coulter)	JM0038258
2 5/8"-11 x 1" Square Head Bolt	JM0037259
3 Lock Collar (Coulter, Applicator)	JM0031280
4 3/8" x 3" SS Roll Pin	JM0037162
5 3/4"-10 x 3" Gr5 Z Hex Bolt	JM0019201
6 Nylon Spring Bushing 3/4" ID x 7/8" OD x 1-5/32"	JM0038264
7 Spring Rod for GEP Coulter	JM0038265
8 Spring for GEP Coulter	JM0038269
9 Spring Alignment Cast Washer for GEP Coulter	JM0038270
10 3/4"-10 Gr2 Z Nylon Locking Hex Nut	JM0026756
11 3/4"-10 Gr5 Z Hex Nut	JM0002125
12 Nylon Bushing with Flange 1-1/4" ID x 3-5/8" (GEP)	JM0038259
13 1-3/8" ID, 2-1/2" OD Washer	JM0038272
14 Cotter Pin 3/16" Diameter x 2" Long	JM0038266
15 GEP Coulter Knuckle, Arm, and Hub Assembly	JM0031265

# Coulter Knife Assembly

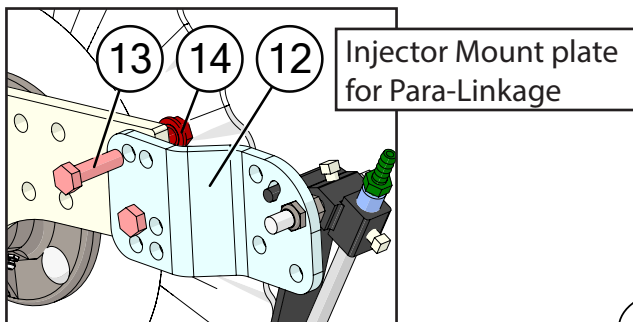


Description	Part No.
1 1/2"-13 Gr2 Z Hex Nut	JM0002124
2 1/2" Gr2 Z Lock Washer	JM0019021
3 1/2" ID, 1-3/8" OD Z Flat Washer	JM0003082
4 Knife Bracket Weldment	JM0059364
5 3/8" Hose Clamp SS	JM0039206
6 C050 Wiese Knife	JM0031273
7 1/2"-13 x 1-3/4" Gr5 Z Hex Bolt	JM0002101
8 1/2"-13 x 1-1/4" Gr5 Z Hex Bolt	JM0001513
9 Coulter Knife Bracket Package	JM0041705

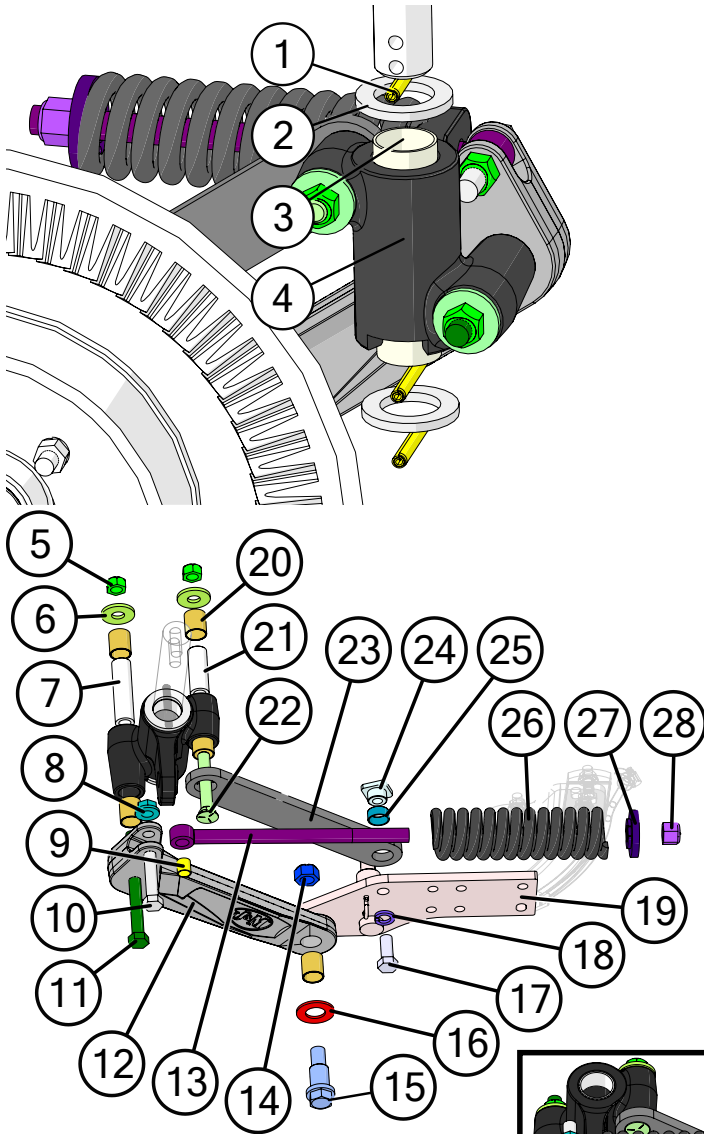
# Coulter Injector Assembly



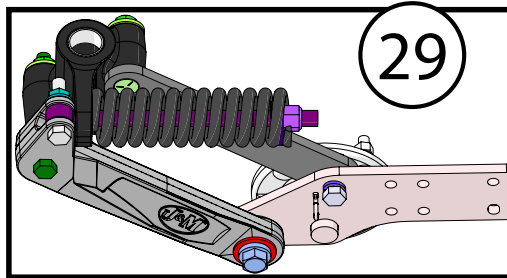
Description	Part No.
1 1/2"-13 SS Nylon Locking Hex Jam Nut	JM0041792
2 1/2"-13 SS Hex Jam Nut	JM0041791
3 3/8" Hose Barb x 1/4" Male NPT SS	JM0036419
4 3/8" Hose Clamp SS	JM0039206
5 1/2"-13 x 3-1/2" SS Hex Bolt	JM0041790
6 3/8"-16 x 1/2" Square Head SS Bolt	JM0041793
7 6" SS Pipe with 1/4" Male NPT Fittings	JM0036445
8 1/4" NPT Merchant Coupling SS	JM0036441
9 #8 NitroGro Injector	JM0036457
9 #10 NitroGro Injector	JM0036459
9 #15 NitroGro Injector	JM0036460
9 #20 NitroGro Injector	JM0036462
9 #30 NitroGro Injector	JM0036463
9 #40 NitroGro Injector	JM0036464
9 #60 NitroGro Injector	JM0051069
10 Fertilizer Injector With Fittings	JM0041788
11 Injector Mount and Bolt Kit	JM0074341
12 Para-Linkage Coulter Knife/Injector Mount	JM0049010
13 1/2"-13 x 1-3/4" Gr5 Z Hex Bolt	JM0002101
14 1/2"-13 Gr5 Z SF Hex Nut	JM0002153



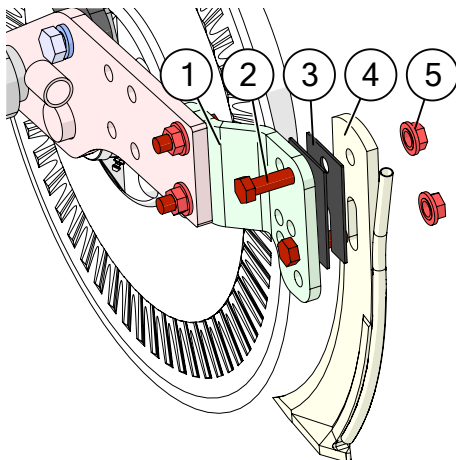
# J&M Para-Linkage Coulters



Description	Part No.
1 3/8" x 2-1/2" SS Spiral Coiled Spring Pin 420SS HD	JM0061533
2 Para-Linkage Coulters Mount Washer	JM0049034
3 1-1/2" ID x 1-5/8" OD x 1" Length Sleeve Composite Bearing	JM0048949
4 ParaLinkage Main body - Cast	JM0051522
5 5/8"-11 GrC Z Distorted Thread Hex Nut	JM0054594
6 5/8" USS Hardened YZ Thick Flat Washer	JM0062183
7 Para-Linkage Lower Arm Bushing Pivot	JM0051220
8 5/8"-11 Gr5 Z SF Hex Nut	JM0002151
9 5/8" ID x 23/32" OD x 3/4" Length Sleeve Composite Bearing	JM0048955
10 5/8"-11 x 3" Gr5 Z Hex Bolt	JM0002105
11 5/8"-11 x 6-1/2" Gr8 YZ Hex Bolt	JM0050351
12 ParaLinkage Cast Arm - Cast	JM0051530
13 Para-Linkage Coulters Spring Rod	JM0049484
14 3/4"-10 GrC YZ Distorted Thread Hex Nut	JM0074456
15 ParaLinkage Bottom Pivot Bolt	JM0085525
16 1" Hardened YZ SAE Flat Washer	JM0080616
17 5/8"-11 x 1-1/2" Gr5 Z Hex Bolt	JM0002103
18 5/8" Gr2 Z Lock Washer	JM0051157
19 Para-Linkage Spindle Mount Weldment - 3/4"	JM0087035
20 1" ID x 1-1/4" OD x 1-1/4" Length Sleeve Composite Bearing	JM0051195
21 Para-Linkage Top Arm Bushing Pivot	JM0051219
22 5/8"-11 x 4 Gr 8 Plow Bolt YZ	JM0086070
23 Para-Linkage Top Arm	JM0048940
24 Top Arm Para-Linkage Pivot	JM0051159
25 1" ID x 1-1/8" OD x 1/2" Length Sleeve Composite Bearing	JM0051196
26 0.562" Wire x 2-3/4" OD x 9-1/4" Length Compression Spring	JM0048712
27 Para-Linkage Coulters Spring Washer Weldment	JM0048967
28 3/4"-10 Gr2 Z Nylon Locking Hex Nut	JM0026756
29 ParaLinkage Main Unit Assembly	JM0077547

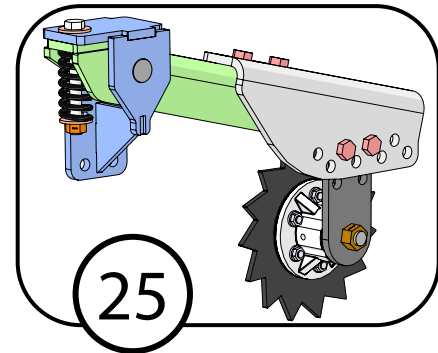
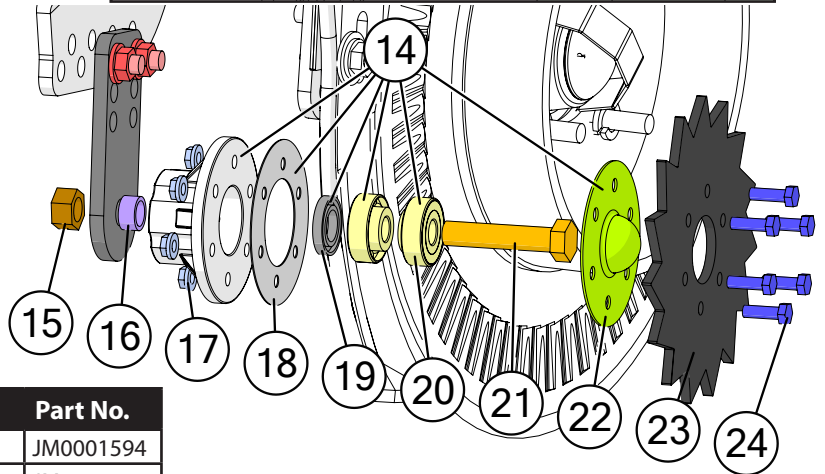
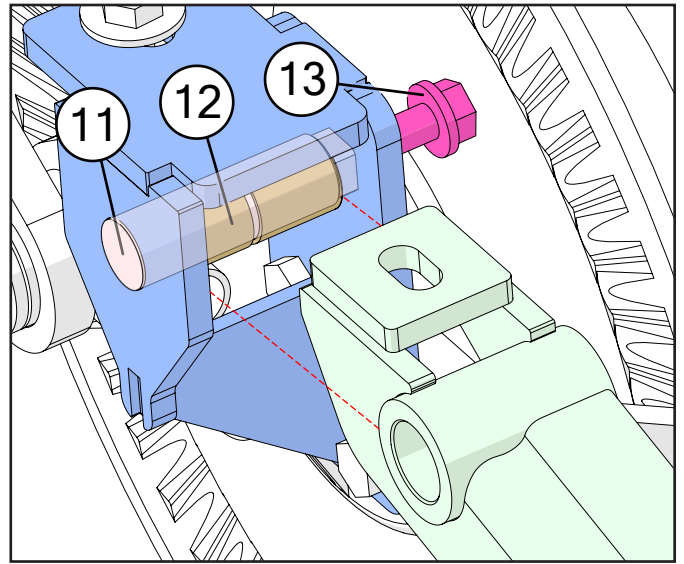
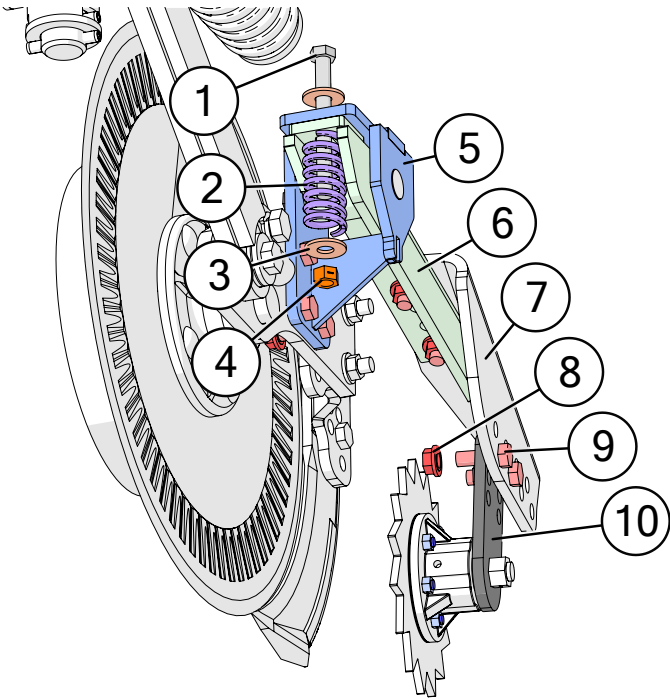


# J&M Para-Linkage Coulters Rod Assembly



Description	Part No.
1 Para-Linkage Coulters Knife/Injector Mount	JM0049010
2 1/2"-13 x 1-3/4" Gr5 Z Hex Bolt	JM0002101
3 Knife Mount Spacer - .08"	JM0049033
4 C050 Wiese Knife	JM0031273
5 1/2"-13 Gr5 Z SF Hex Nut	JM0002153

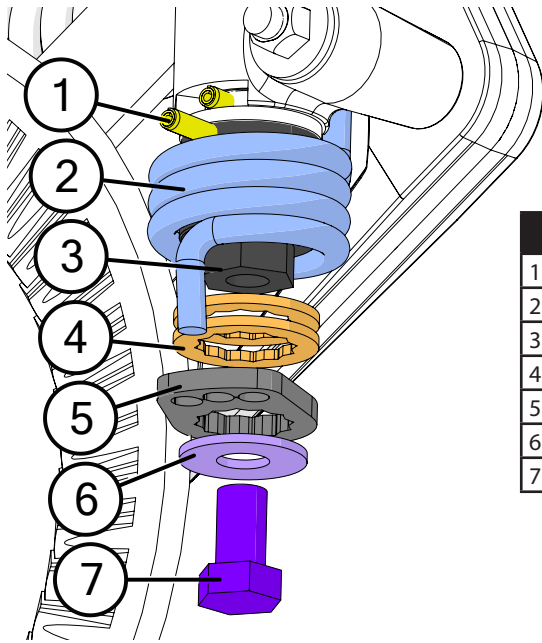
# J&M Para-Linkage Row Closers



Description	Part No.
1 1/2"-13 x 5" Gr5 Z Hex Bolt	JM0001594
2 0.256" Wire x 1-1/2" OD x 3-1/4" Length Compression Spring	JM0059081
3 1/2" ID, 1-3/8" OD Z Flat Washer	JM0003082
4 1/2"-13 Gr2 Z Centerlock Hex Nut	JM0001511
5 Gooseneck Spring Loaded Closer Base Weldment	JM0062117
6 Gooseneck Spring Loaded Closer Arm	JM0062118
7 Spring Loaded Closer Adjustable Pitch Plate	JM0062275
8 1/2"-13 Gr5 Z SF Hex Nut	JM0002153
9 1/2"-13 x 1-1/2" Gr5 Z Hex Bolt	JM0002100
10 Spring Lever Arm - Coulter Mount	JM0062277
11 Gooseneck Closer Mounting Pin (1" O.D. x 3.4" Long)	JM0062721
12 1" ID x 1-1/4" OD x 1-1/4" Length Sleeve Composite Bearing	JM0051195
13 1/2"-13 x 1-1/4" Gr5 Z SF Hex Bolt	JM0010002
14 G63204 Hub, 6 Hole on 3" Center	JM0049394
15 5/8"-11 Gr2 Z Centerlock Hex Nut	JM0002146
16 Row Closer Hub Spacer	JM0049396
17 5/16"-18 Gr5 Z SF Hex Nut	JM0014049
18 Gasket for G63204 Hub	JM0049390
19 Seal for G63204 Hub	JM0049388
20 G63204 Hub Bushing - Radial Ball Bearing	JM0049389
21 5/8"-11 x 3" Gr5 Z Hex Bolt	JM0002105
22 Hub Cap for G63204 Hub	JM0049391
23 Spike Closing Wheel	JM0062391
24 5/16"-18 x 1" Gr5 Z Hex Bolt	JM0001743
25 Gooseneck Spring Loaded Closer Assembly	JM0062133

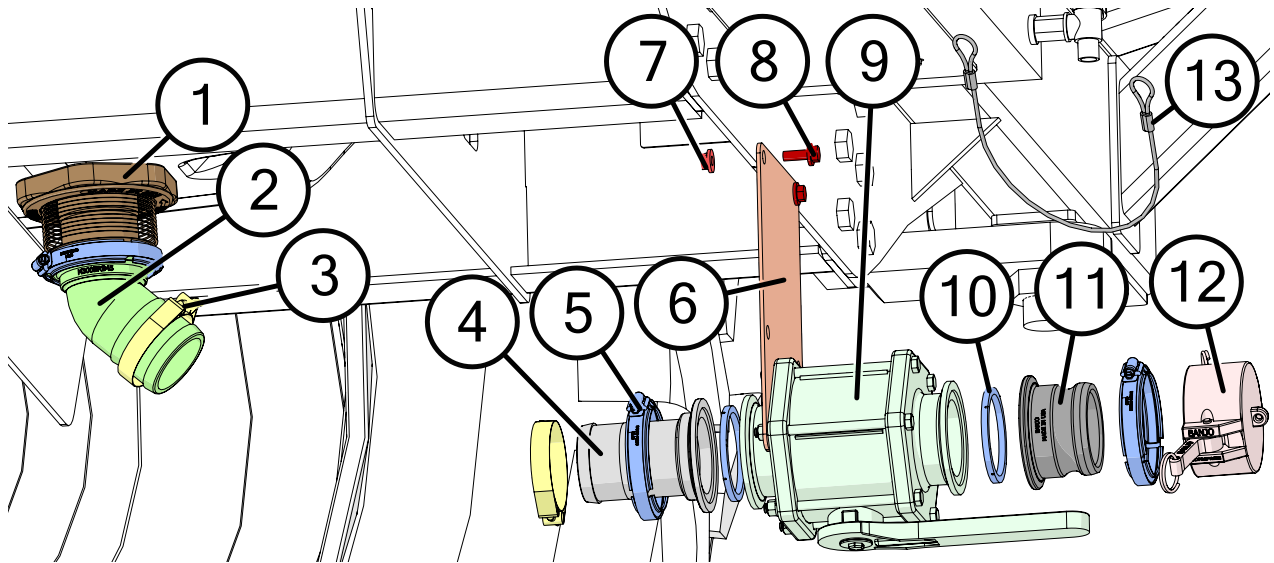


# J&M Para-Linkage Spring Stop



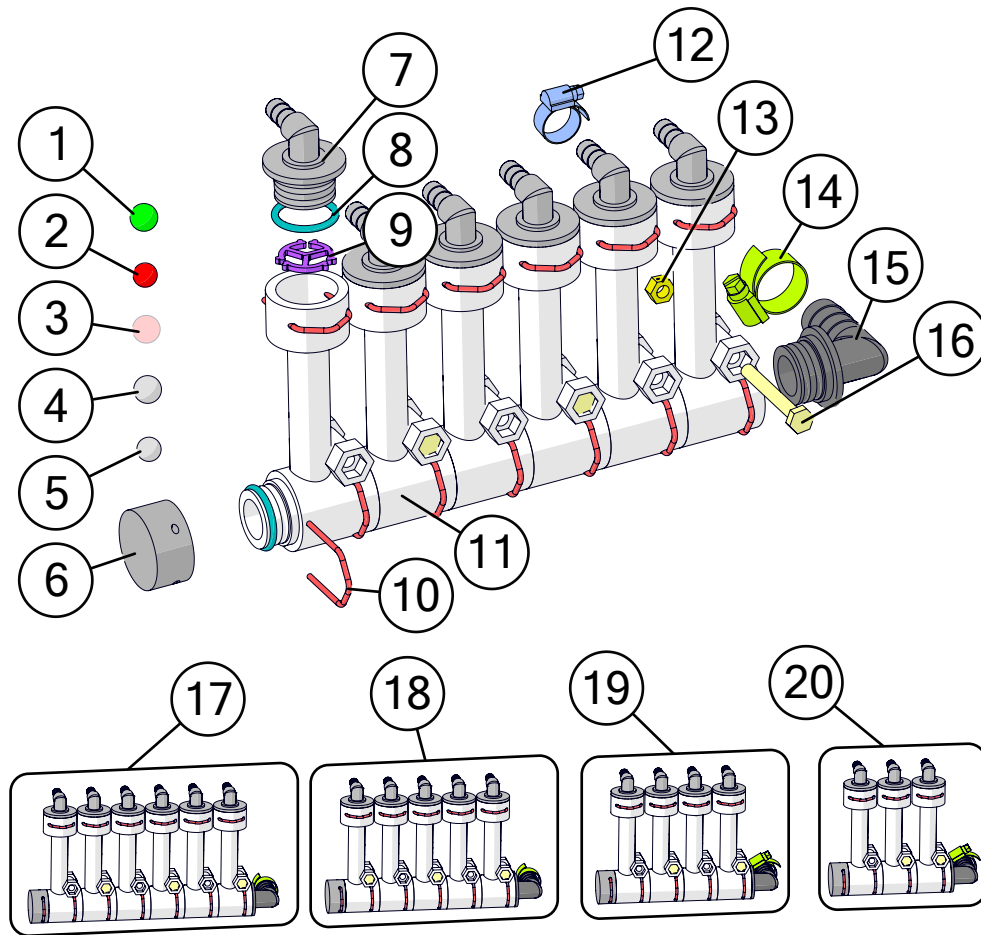
	Description	Part No.
1	3/8" x 2-1/2" SS Spiral Coiled Spring Pin 420SS HD	JM0061533
2	Torsion Spring for Coulter Swivel	JM0077738
3	Coulter Torsion Spring Holder	JM0077719
4	Coulter Torsion Spring Spacer	JM0077732
5	Coulter Torsion Spring Keeper	JM0077729
6	7/8" USS Flat Washer (2-1/4" OD)	JM0014395
7	7/8"-9 x 1.5" Gr5 Z Hex Bolt	JM0085232

# Fill Valves



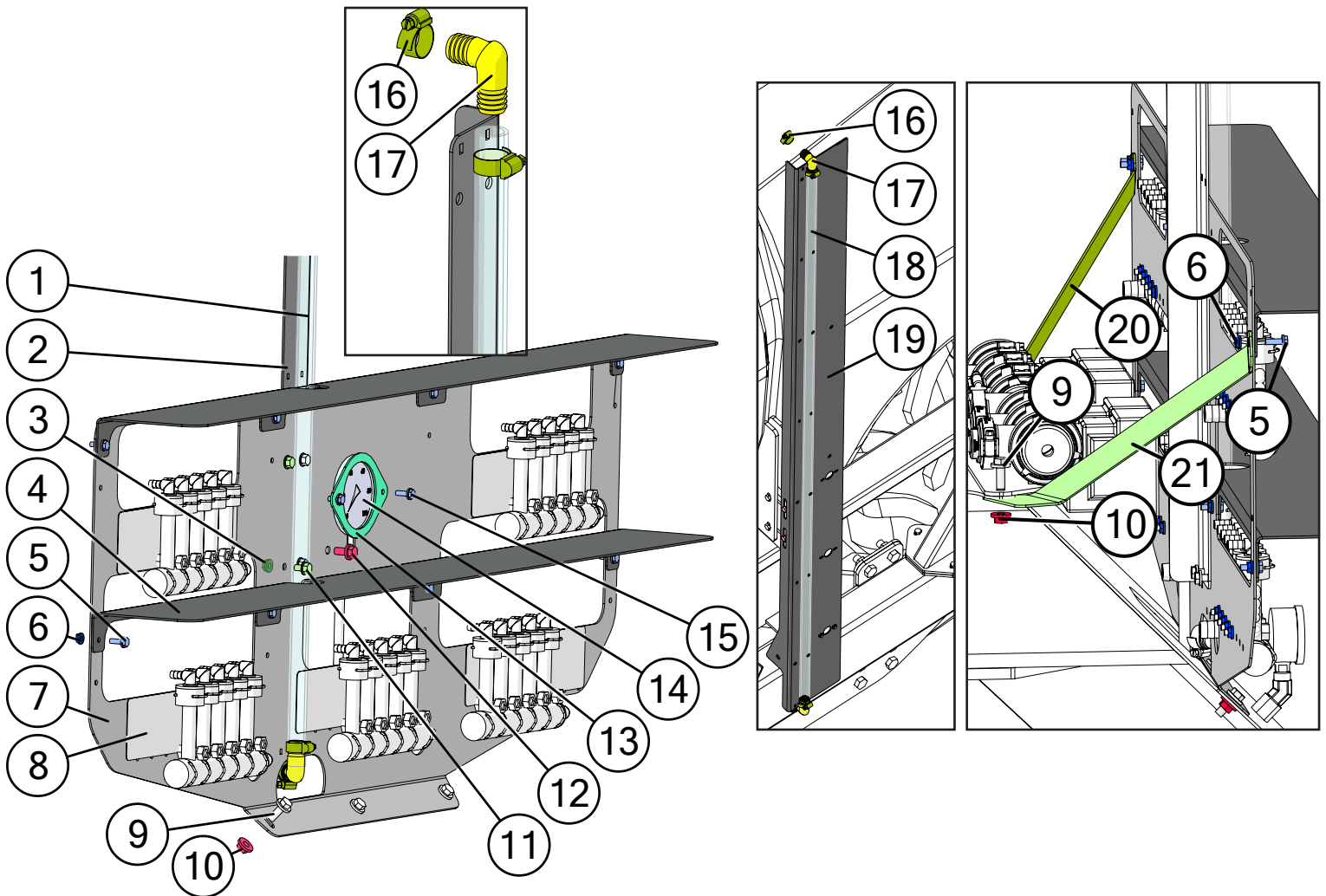
	Description	Part No.
1	3" MNF x 3" FNPT Tank Fitting BTM DRN	JM0035114
2	3" Hose Barb x M300 Manifold Flange; 45 Deg	JM0033989
3	T-Bolt Hose Clamp 3" Hose, 3-5/16" Min OD	JM0035248
4	3" Manifold Flange x 3" Hose Barb	JM0021244
5	Manifold Flange Clamp for M300 Fittings	JM0035237
6	Ball Valve Mount Plate 3" Banjo (NitroGro)	JM0034894
7	3/8"-16 Gr5 Z SF Hex Nut	JM0002152
8	3/8"-16 x 1" Gr5 Z SF Hex Bolt	JM0002092
9	Ball Valve - 3" Full Port Flange Manifold	JM0021230
10	Manifold Gasket for M300 Fittings with Rib	JM0021239
11	3" Manifold Flange x 3" QDC Male	JM0035205
12	3" Poly Cam Lever Cap	JM0035206
13	Cable Lanyard (NitroGro)	JM0039282

# Flow Monitor



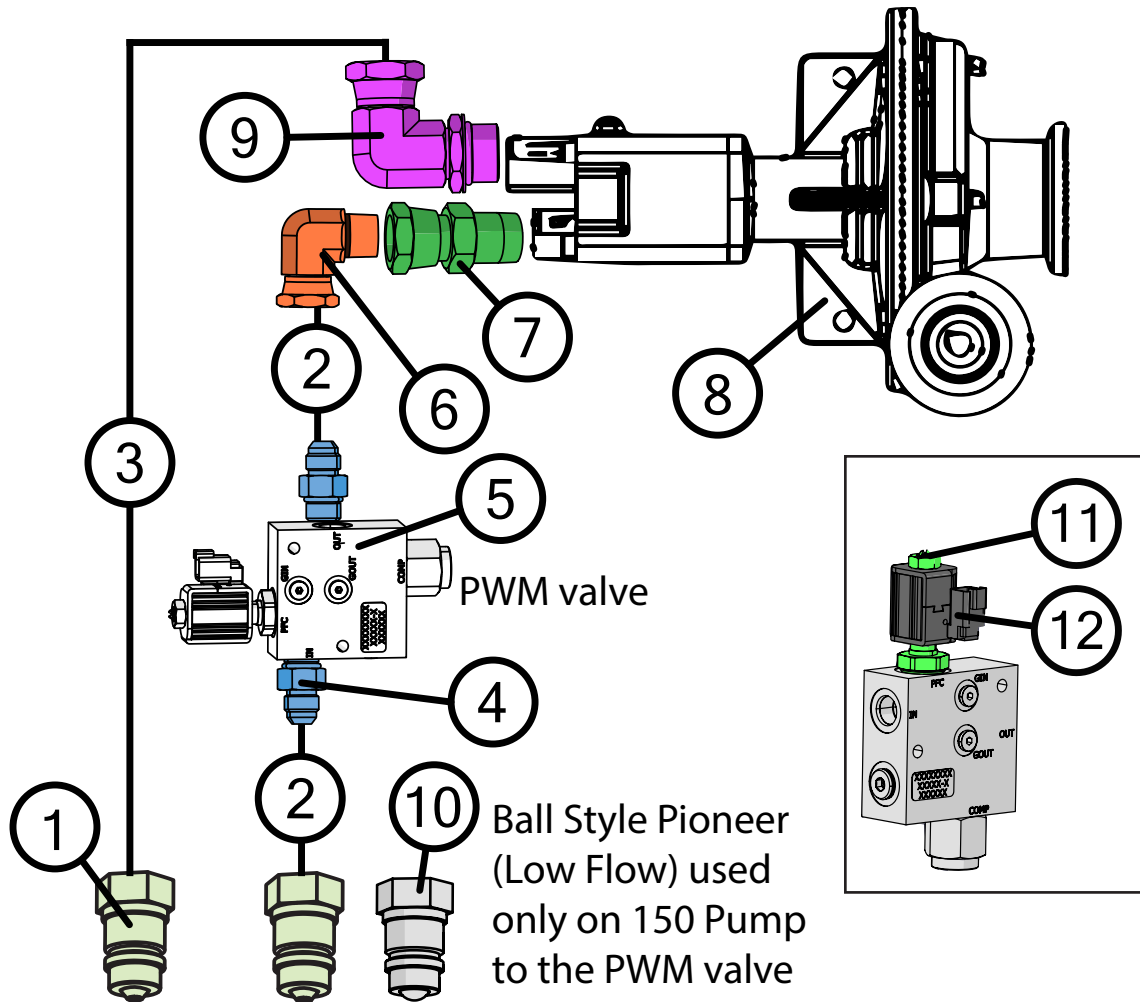
Description	Part No.
1 Green Polyurethane Ball for Wilger Flow Indicator	JM0055003
2 Red Polyurethane Ball for Wilger Flow Indicator	JM0055004
3 Red Glass Ball for Wilger Flow Indicator	JM0055005
4 1/2" SS Ball for Wilger Flow Indicator	JM0055006
5 7/16" Stainless Steel Ball for Wilger Flow Indicator	JM0061580
6 Cap with O-Ring - Wilger Flow Indicator	JM0021579
7 3/8" Hose Barb with O-Ring; 90 Degree	JM0024469
8 O-Ring Seal for Wilger Flow Monitor	JM0055001
9 Ball Retainer for Wilger Flow Monitor	JM0055002
10 U-Clip for Wilger Flow Monitor	JM0055000
11 Wilger Flow Indicator	JM0021569
12 3/8" Hose Clamp SS	JM0039206
13 1/4"-20 Gr5 Z SF Hex Nut	JM0001630
14 3/4" Hose Clamp SS	JM0039205
15 3/4" Hose Barb with O-Ring; 90 Degree	JM0024468
16 1/4"-20 x 2" Gr5 Z Hex Bolt	JM0001591
17 Wilger Flow Indicator Manifold - 6 Row with 3/4" Inlet and 3/8" Outlets	JM0024470
18 Wilger Flow Indicator Manifold - 5 Row with 3/4" Inlet and 3/8" Outlets	JM0021591
19 Wilger Flow Indicator Manifold - 4 Row with 3/4" Inlet and 3/8" Outlets	JM0039279
20 Wilger Flow Indicator Manifold - 3 Row with 3/4" Inlet and 3/8" Outlets	JM0039280

# Flow Monitor Mount and Sight Glasses



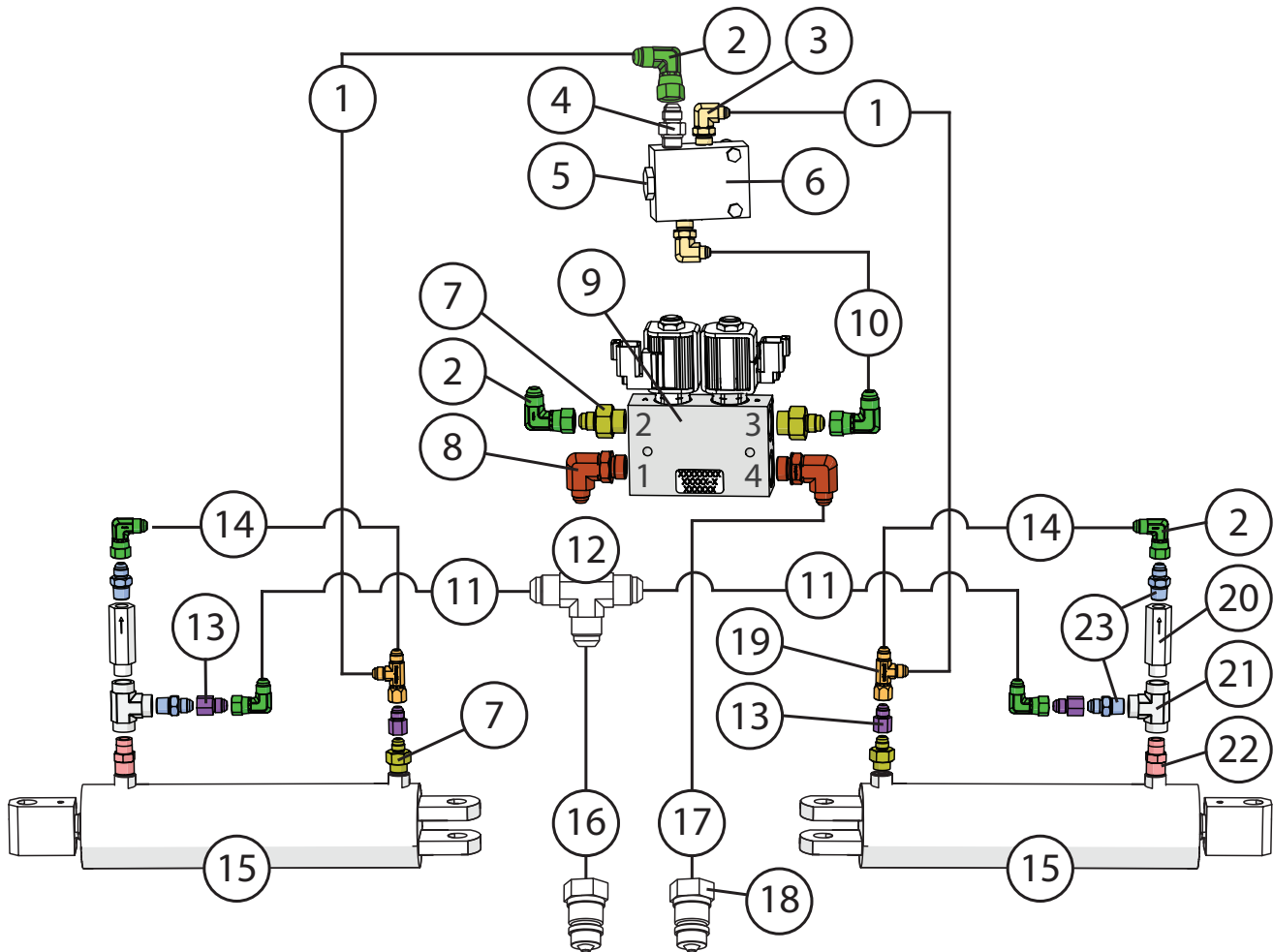
	Description	Part No.
1	3/4" ID x 1" OD x 49" Clear Flex PVC - 1800 Front	JM0080071
2	1800 Gallon Tank Front Sight Glass Bracket	JM0054195
3	5/16"-18 Gr5 Z SF Hex Nut	JM0014049
4	6000 Applicator Flow Monitor Mounting Plate - Hood	JM0054506
5	1/4"-20 x 3/4" Gr5 Z SF Hex Bolt	JM0001642
6	1/4"-20 Gr5 Z SF Hex Nut	JM0001630
7	6000 Applicator Flow Monitor Mounting Plate	JM0058929
8	Flow Monitor Ball Decal - WHITE	JM0054966
9	3/8"-16 x 1" Gr5 Z SF Hex Bolt	JM0002092
10	3/8"-16 Gr5 Z SF Hex Nut	JM0002152
11	5/16"-18 x 1/2" Gr5 Z Serrated Flange Hex Bolt (51612HB)	JM0019825
12	3/8"-16 x 3/4" Gr5 Z SF Hex Bolt	JM0001750
13	6000 Nitrogro Flow Monitor Pressure Gauge Holder	JM0051516
14	Pressure Gauge Stainless Steel 0-100psi, 1/4" NPT	JM0036636
15	1/4"-20 x 3/4" Gr5 Z SF Hex Bolt	JM0001642
16	3/4" Hose Clamp SS	JM0039205
17	3/4" ID Plastic Barbed Hose Fitting - 90 Degree	JM0080067
18	3/4" ID x 1" OD x 65-1/4" Clear Flex PVC - 1800 Rear	JM0080069
19	1800 Gallon Rear Sight Glass Bracket	JM0047830
20	6000 Series Sight Glass Brace LH	JM0085064
21	6000 Series Sight Glass Brace RH	JM0085063

# Hydraulic Pump Circuit Hydraulic Schematic



Description	Part No.
1 1/2" Female NPT x Male Pioneer - High Flow, Cone Style	JM0018254
2 3/4" x 120" Hydraulic Hose 120inch12M3k-12G-8MP-12G-8FJX	JM0078622
3 3/4" x 240" Hydraulic Hose 240inch12M3k-12G-8MP-12G-8MP	JM0061554
4 1/2" Male ORB x 1/2" Female NPSM Swivel; Straight	JM0026804
5 Hydraulic PWM Control Valve for 155 Ace Pump (F14264A1-1)	JM0059223
5 Hydraulic PWM Control Valve for 750 Ace Pump (F14264A1-2)	JM0085031
6 1/2" Male Pipe x 1/2" Female Pipe Swivel; 90 Deg Elbow	JM0074224
7 5/8" Male O-Ring x 1/2" Female NPT Swivel; Straight	JM0074223
8 FMCSC-155F-HYD-206 - Ace Pump	JM0061538
8 FMC-750F-HYD-M22-SAE-BAB Orientation - Ace Pump	JM0079786
9 5/8" Male O-Ring x 1/2" Female NPT Swivel; 90 Degree Elbow	JM0061539
10 1/2" Female NPT x Male Pioneer - Low Flow, Ball Style	JM0039220
11 Cartridge, Prop 2W2P NC Poppet	JM0088670
12 Super Coil 5/8" ID 12 VDC Deutsch	JM0055225

# Main Wing Fold Circuit Hydraulic Schematic

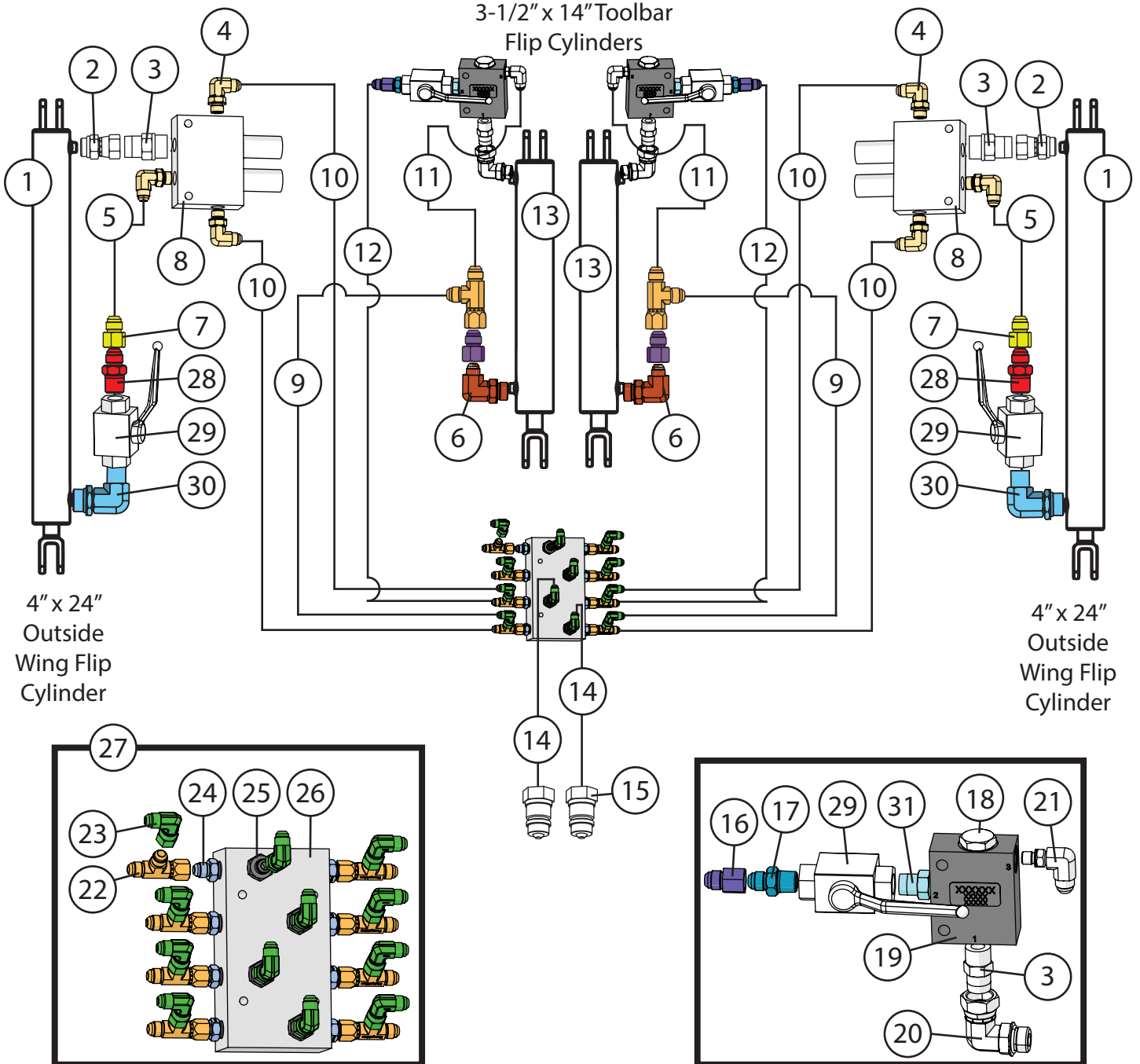
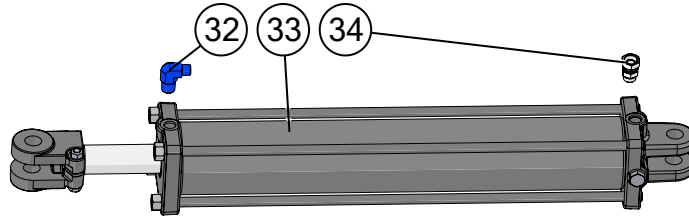


Description	Part No.
1 3/8" x 72" Hydraulic Hose 72inch6M3K-6G-6FJX-6G-6FJX	JM0049157
2 3/8" Male JIC x 3/8" Female JIC Swivel; 90 Degree Elbow	JM0010295
3 3/8" Male JIC x 3/8" Male ORB; 90 Degree Elbow	JM0026121
4 3/8" Male JIC x 3/8" Male ORB; Straight	JM0043614
5 3/8" Male NPT Plug	JM0018261
6 50 by 50 Flow Divider Valve	JM0047737
7 3/8" Male JIC x 1/2" Male ORB; Straight	JM0010302
8 3/8" Male JIC x 1/2" Male ORB; 90 Degree Elbow	JM0037159
9 F14424A1 Dual Solenoid Valve Assembly	JM0068890
10 3/8" x 60" Hydraulic Hose 60inch6M3K-6G-6FJX-6G-6FJX	JM0068916
11 3/8" x 85" Hydraulic Hose 85inch6M3K-6G-6FJX-6G-6FJX	JM0049158
12 3/8" Male JIC x 3/8" Male JIC x 3/8" Male JIC; Tee	JM0055046
13 1/2" Male JIC x 1/2" Female JIC - Straight with .031 Orifice	JM0054919
14 3/8" x 12" Hydraulic Hose 12inch4M3K-4G-6FPX-4G-6FJX	JM0054984
15 4" Bore, 8-1/2" Stroke Cylinder Assembly	JM0062922
16 3/8" x 208" Hydraulic Hose 208inch6M3K-6G-8MP-6G-6FJX	JM0053803
17 3/8" x 144" Hydraulic Hose 144inch6M3K-6G-8MP-6G-6FJX	JM0054982
18 1/2" Female NPT x Male Pioneer - Low Flow, Ball Style	JM0039220
19 3/8" Male JIC x 3/8" Female JIC Swivel x 3/8" Male JIC; Tee	JM0037163
20 Vonberg 2100 PSI Blowoff Valve	JM0037492
21 3/8" female NPT x 3/8" female NPT x 3/8" female NPT; Street T	JM0046965
22 3/8" Male NPT x 1/2" Male O-Ring Hex Nipple	JM0030064
23 3/8" Male JIC x 3/8" Male NPT; Straight	JM0037167

# Wing Flip Circuit Hydraulic Schematic



There are two options for the 4"x24" cylinder, tie-rod (part 33) versus welded (part 1). When the tie-rod cylinder is used in place of the welded cylinder, use fittings 32 and 34 in place of 2 and 30 from the diagram below.

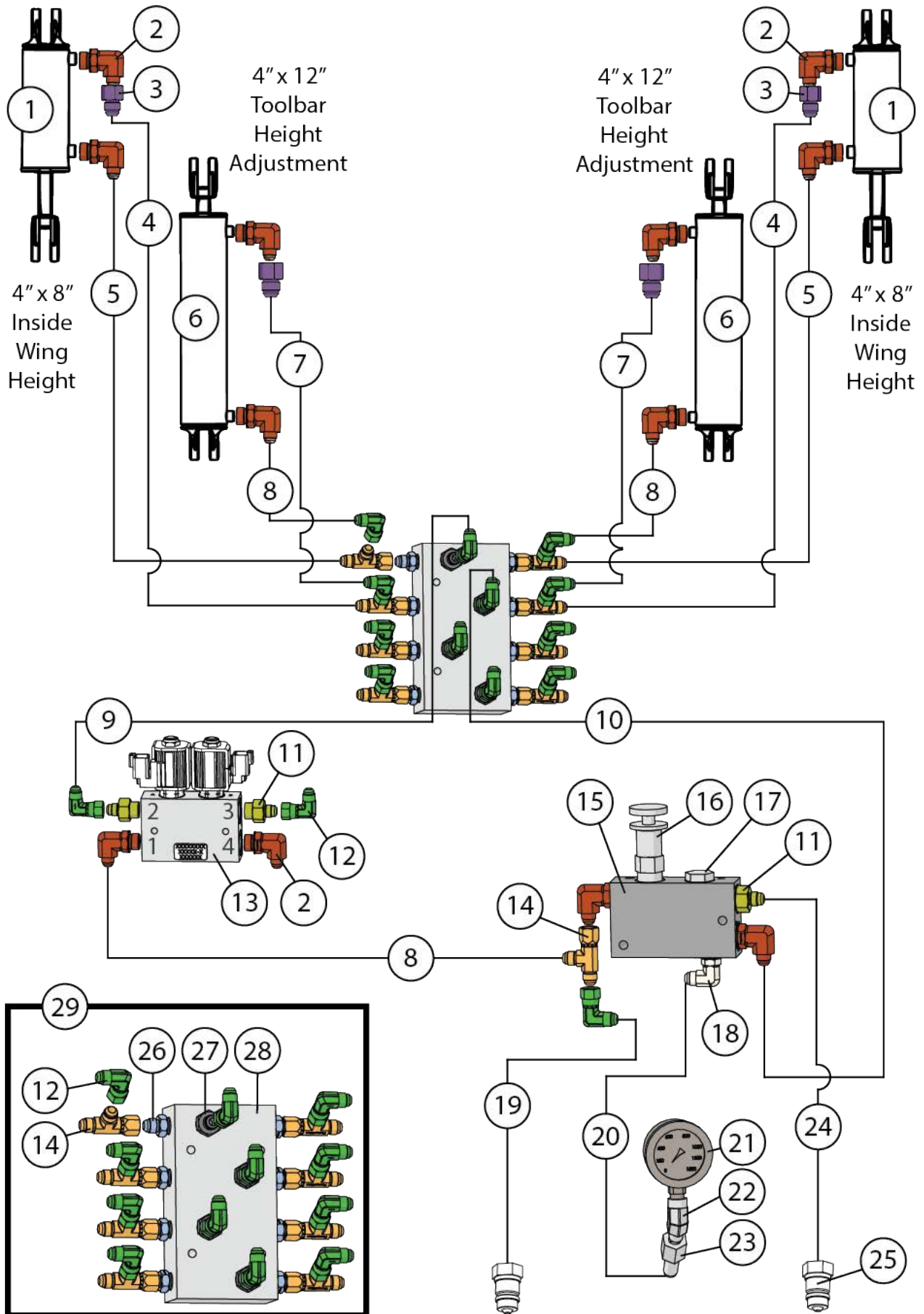




# Wing Flip Circuit Hydraulic Schematic

Description	Part No.
1 4" Bore, 24" Stroke Welded Hydraulic Cylinder - Heavier Clevises	JM0030730
1 Seal Kit for 4" x 24" Hydraulic Cylinder (JD-609)	JM0039242
2 1/2" Male ORB x 1/2" Female NPSM Swivel; Straight	JM0026804
3 1/2" Male NPT x 1/2" Male O-Ring Hex Nipple	JM0048977
4 3/8" Male JIC x 3/8" Male ORB; 90 Degree Elbow	JM0026121
5 3/8" x 25" Hydraulic Hose 25inch6M3K-6G-6FJX-6G-6FJX	JM0049167
6 3/8" Male JIC x 1/2" Male ORB; 90 Degree Elbow	JM0037159
7 3/8" Male JIC x 3/8" Female JIC with .094 Orifice	JM0047735
8 Dual Counter Balance Valve	JM0047740
9 3/8" x 53" Hydraulic Hose 53inch6M3K-6G-6FJX-6G-6FJX	JM0049155
10 3/8" x 195" Hydraulic Hose 195inch6M3K-6G-6FJX-6G-6FJX	JM0049164
11 3/8" x 12" Hydraulic Hose 12inch4M3K-4G-6FPX-4G-6FJX	JM0054984
12 3/8" x 36" Hydraulic Hose 36inch6M3K-6G-6FJX-6G-6FJX	JM0049163
13 3" x 14" Welded Non-Cushion JD Cylinder	JM0035057
13 Seal Kit for 3" x 14" Welded Cylinder (No Clevis, JD-607)	JM0025404
14 3/8" x 208" Hydraulic Hose 208inch6M3K-6G-8MP-6G-6FJX	JM0053803
15 1/2" Female NPT x Male Pioneer - Low Flow, Ball Style	JM0039220
16 3/8" Male JIC x 3/8" Female JIC with .062 Orifice	JM0047738
17 3/8" Male JIC x 3/8" Male NPT; Straight	JM0037167
18 Pilot Check Valve Hyd (FA/VBBA-5) (FA/LNL)	JM0050870
19 Pilot Operated Check Valve Body, Single Cavity, SAE Ports	JM0054912
20 1/2" Male ORB x 1/2" Female NPSM Swivel; 90 Degree Elbow	JM0047392
21 3/8" Male JIC x 1/4" Male ORB; 90 Degree Elbow	JM0054921
22 3/8" Male JIC x 3/8" Female JIC Swivel x 3/8" Male JIC; Tee	JM0037163
23 3/8" Male JIC x 3/8" Female JIC Swivel; 90 Degree Elbow	JM0010295
24 3/8" Male JIC x 3/8" Male NPT; Straight	JM0037167
25 3/8" Male JIC x 1/2" Male NPT; Straight	JM0037172
26 Main Manifold Block (NitroGro)	JM0028902
27 Main 6000 Series Manifold Block with Fittings	JM0054931
28 3/8" Male JIC x 3/8" Male NPT; Straight	JM0037167
29 3/8" HP Ball Valve 7250 PSI	JM0027113
30 1/2" Male O-Ring x 3/8" Male NPT; 90 Degree Elbow	JM0041630
31 1/2" Male O-Ring x 3/8" Male NPT; 90 Degree Elbow	JM0041630
32 1/2" Male NPT x 3/8" Male NPT; 90 Degree Elbow	JM0082358
33 4" x 24" Hydraulic Cylinder (424HC)(TF212)	JM0018348
33 Seal Kit for 4" x 24" Hydraulic Cylinder (3000 PSI) (SK649229)	JM0037754
34 1/2" Male NPT x 1/2" Female NPT Swivel; Straight	JM0082357

# Down Pressure Circuit Hydraulic Schematic

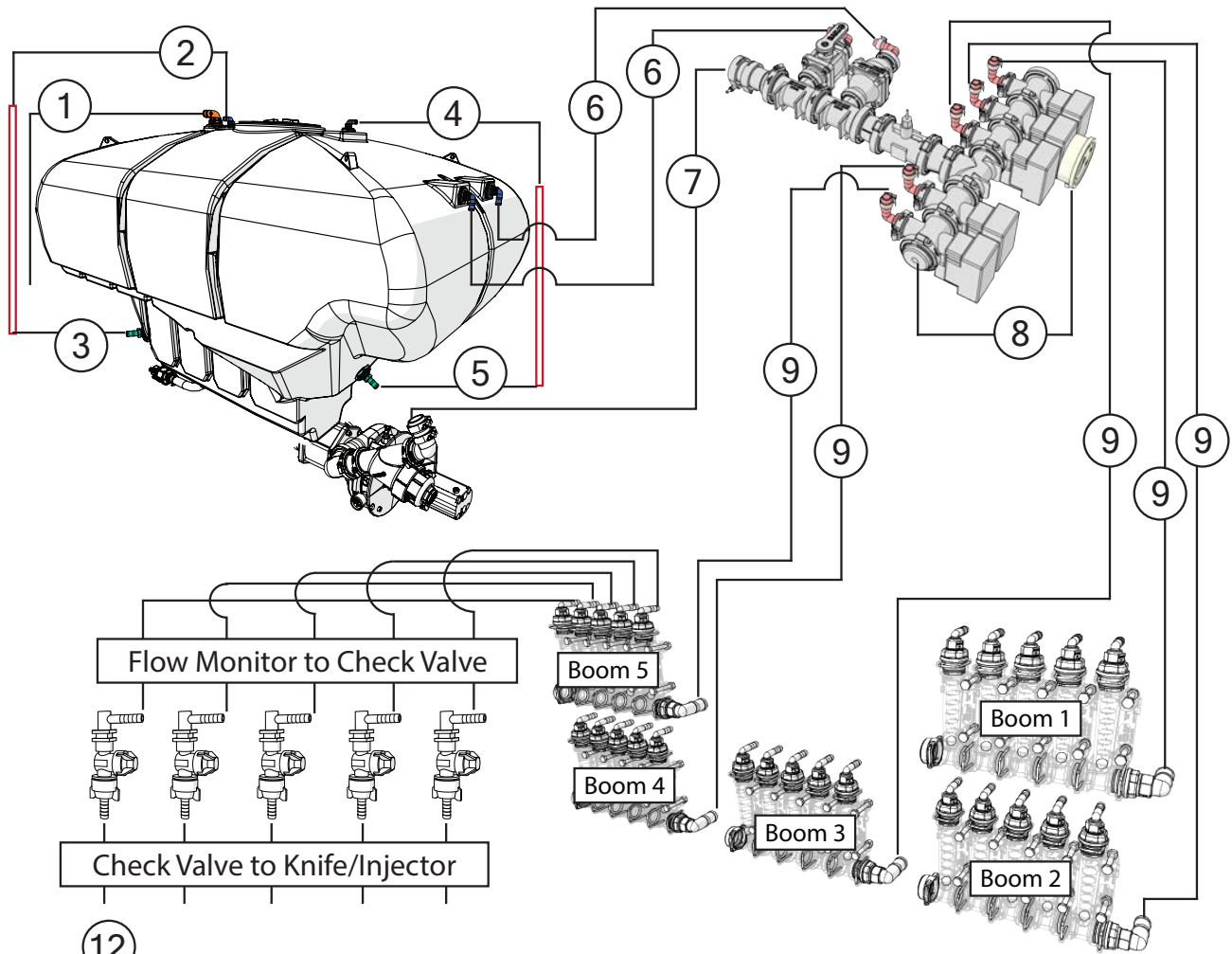




# Down Pressure Circuit Hydraulic Schematic

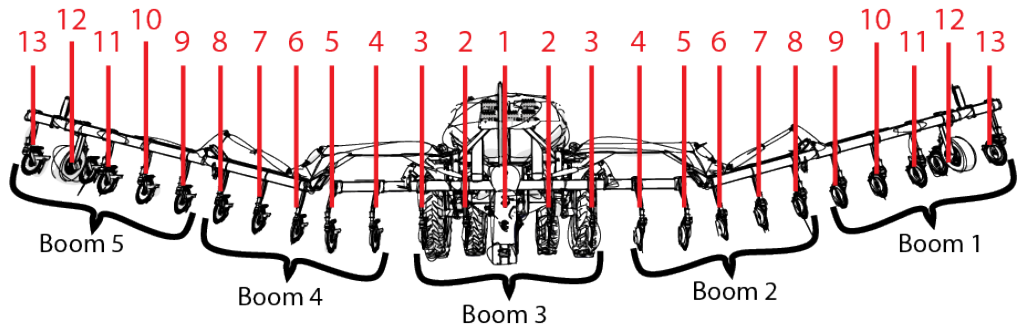
	Description	Part No.
1	4" Bore, 8" Stroke Welded Hydraulic Cylinder - Heavier Clevises	JM0030757
1	Seal Kit for 4" x 8" Hydraulic Cylinder (JD-608)	JM0039241
2	3/8" Male JIC x 1/2" Male ORB; 90 Degree Elbow	JM0037159
3	3/8" Male JIC x 3/8" Female JIC with .094 Orifice	JM0047735
4	3/8" x 165" Hydraulic Hose 165inch6M3K-6G-6FJX-6G-6FJX	JM0049161
5	3/8" x 180" Hydraulic Hose 180inch6M3K-6G-6FJX-6G-6FJX	JM0049160
6	4" Bore, 12" Stroke Welded Hydraulic Cylinder	JM0045585
7	3/8" x 36" Hydraulic Hose 36inch6M3K-6G-6FJX-6G-6FJX	JM0049163
8	3/8" x 53" Hydraulic Hose 53inch6M3K-6G-6FJX-6G-6FJX	JM0049155
9	3/8" x 60" Hydraulic Hose 60inch6M3K-6G-6FJX-6G-6FJX	JM0068916
10	3/8" x 130" Hydraulic Hose 130inch6M3K-6G-6FJX-6G-6FJX	JM0049169
11	3/8" Male JIC x 1/2" Male ORB; Straight	JM0010302
12	3/8" Male JIC x 3/8" Female JIC Swivel; 90 Degree Elbow	JM0010295
13	F14424A1 Dual Solenoid Valve Assembly	JM0068890
14	3/8" Male JIC x 3/8" Female JIC Swivel x 3/8" Male JIC; Tee	JM0037163
15	Manifold with 1/2" ORB Ports for PRV and CV (SFP26157)	JM0034773
16	Hydraforce Pressure Reducing/Relieving Valve	JM0034800
17	Hydraforce Check Valve 5psi Bias Spring	JM0034805
18	3/8" Male JIC x 3/8" Male ORB; 90 Degree Elbow	JM0026121
19	3/8" x 87" Hydraulic Hose 87inch6M3K-6G-8MP-6G-6FJX	JM0053806
20	3/8" x 25" Hydraulic Hose 25inch6M3K-6G-6FJX-6G-6FJX	JM0049167
21	Pressure Gauge 0-1500psi, 2" Face, 1/4" NPT Bottom Mount Donaldson	JM0037152
22	1/4" Male NPT x 1/4" Female NPT Rigid; 45 Degree Elbow	JM0037156
23	1/4" Female NPT x 3/8" Male JIC Compression Bulk Head Fitting	JM0037155
24	3/8" x 81" Crimped Hydraulic Hose 81inch6CR2-6G-8MP-6G-6FJX	JM0049168
25	1/2" Female NPT x Male Pioneer - Low Flow, Ball Style	JM0039220
26	3/8" Male JIC x 3/8" Male NPT; Straight	JM0037167
27	3/8" Male JIC x 1/2" Male NPT; Straight	JM0037172
28	Main Manifold Block (NitroGro)	JM0028902
29	Main 6000 Series Manifold Block with Fittings	JM0054931

# Fertilizer Hose Routing

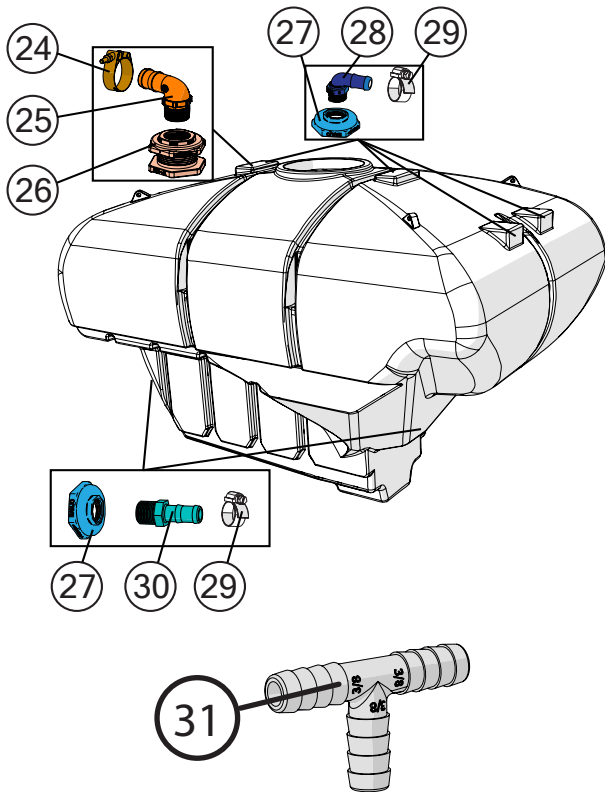


- 12
- 13
- 12
- 14
- 15
- 16
- 17
- 18
- 19
- 20
- 21
- 22
- 23

30" Row Spacing				
Flow Monitor to Check Valve		Check Valve to Knife/Injector		
Description	Part No.	Description	Part No.	
Coulter 1	140" x 3/8" Fertilizer Hose	JM0050813	55" x 3/8" Fertilizer Hose	JM0050810
Coulter 2	130" x 3/8" Fertilizer Hose	JM0050812	55" x 3/8" Fertilizer Hose	JM0050810
Coulter 3	140" x 3/8" Fertilizer Hose	JM0050813	55" x 3/8" Fertilizer Hose	JM0050810
Coulter 4	160" x 3/8" Fertilizer Hose	JM0050814	65" x 3/8" Fertilizer Hose	JM0050811
Coulter 5	190" x 3/8" Fertilizer Hose	JM0050815	65" x 3/8" Fertilizer Hose	JM0050811
Coulter 6	246" x 3/8" Fertilizer Hose	JM0050816	55" x 3/8" Fertilizer Hose	JM0050810
Coulter 7	276" x 3/8" Fertilizer Hose	JM0050817	65" x 3/8" Fertilizer Hose	JM0050811
Coulter 8	306" x 3/8" Fertilizer Hose	JM0050818	55" x 3/8" Fertilizer Hose	JM0050810
Coulter 9	336" x 3/8" Fertilizer Hose	JM0050819	55" x 3/8" Fertilizer Hose	JM0050810
Coulter 10	366" x 3/8" Fertilizer Hose	JM0050820	55" x 3/8" Fertilizer Hose	JM0050810
Coulter 11	396" x 3/8" Fertilizer Hose	JM0050821	55" x 3/8" Fertilizer Hose	JM0050810
Coulter 12	426" x 3/8" Fertilizer Hose	JM0050822	65" x 3/8" Fertilizer Hose	JM0050811
Coulter 13	456" x 3/8" Fertilizer Hose	JM0050823	55" x 3/8" Fertilizer Hose	JM0050810



# Fertilizer Hose Routing

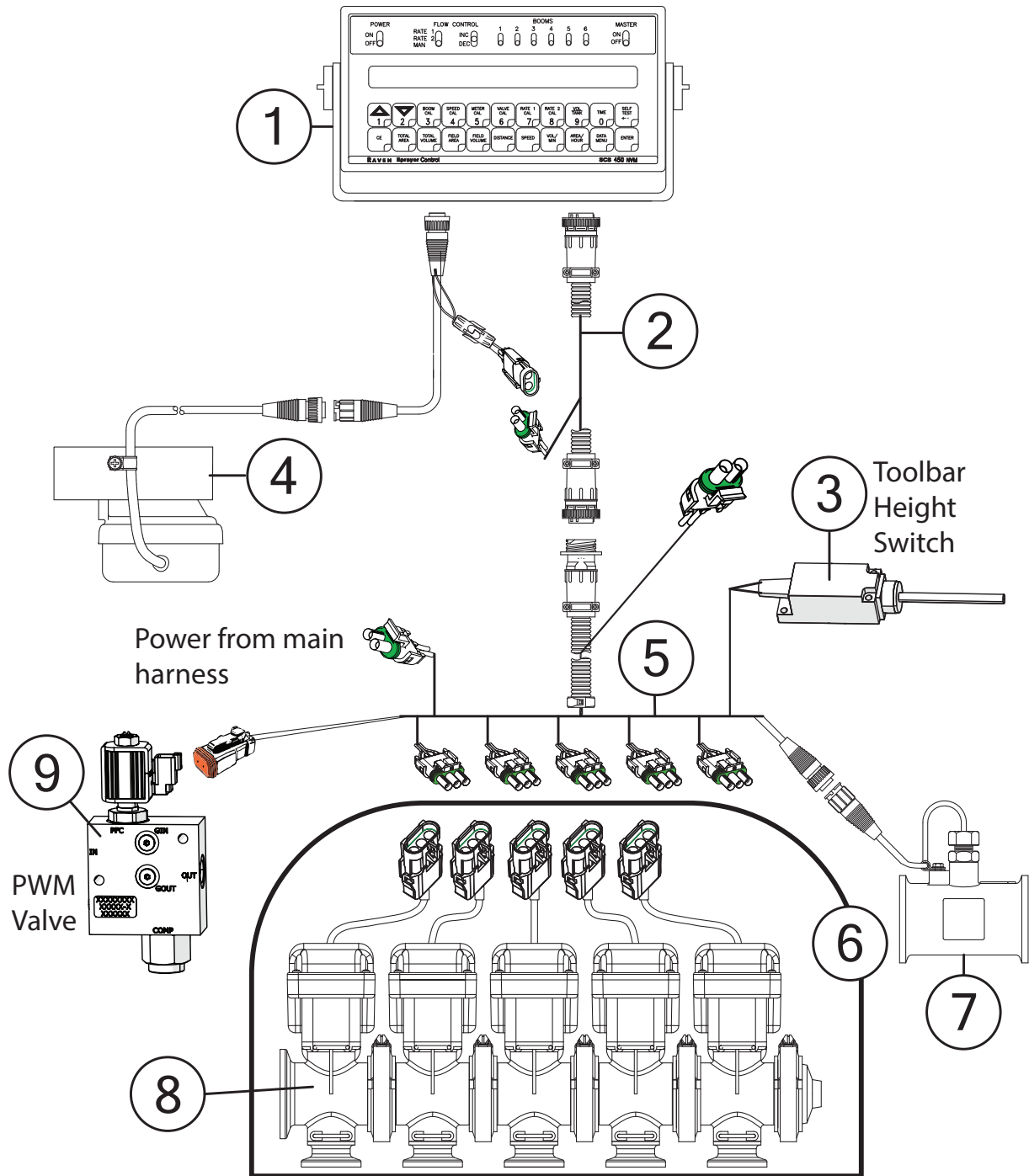


Hose barb "T" will be used if you have too many coulters. Each flow monitor will monitor 2 coulters instead of 1 in that instance.



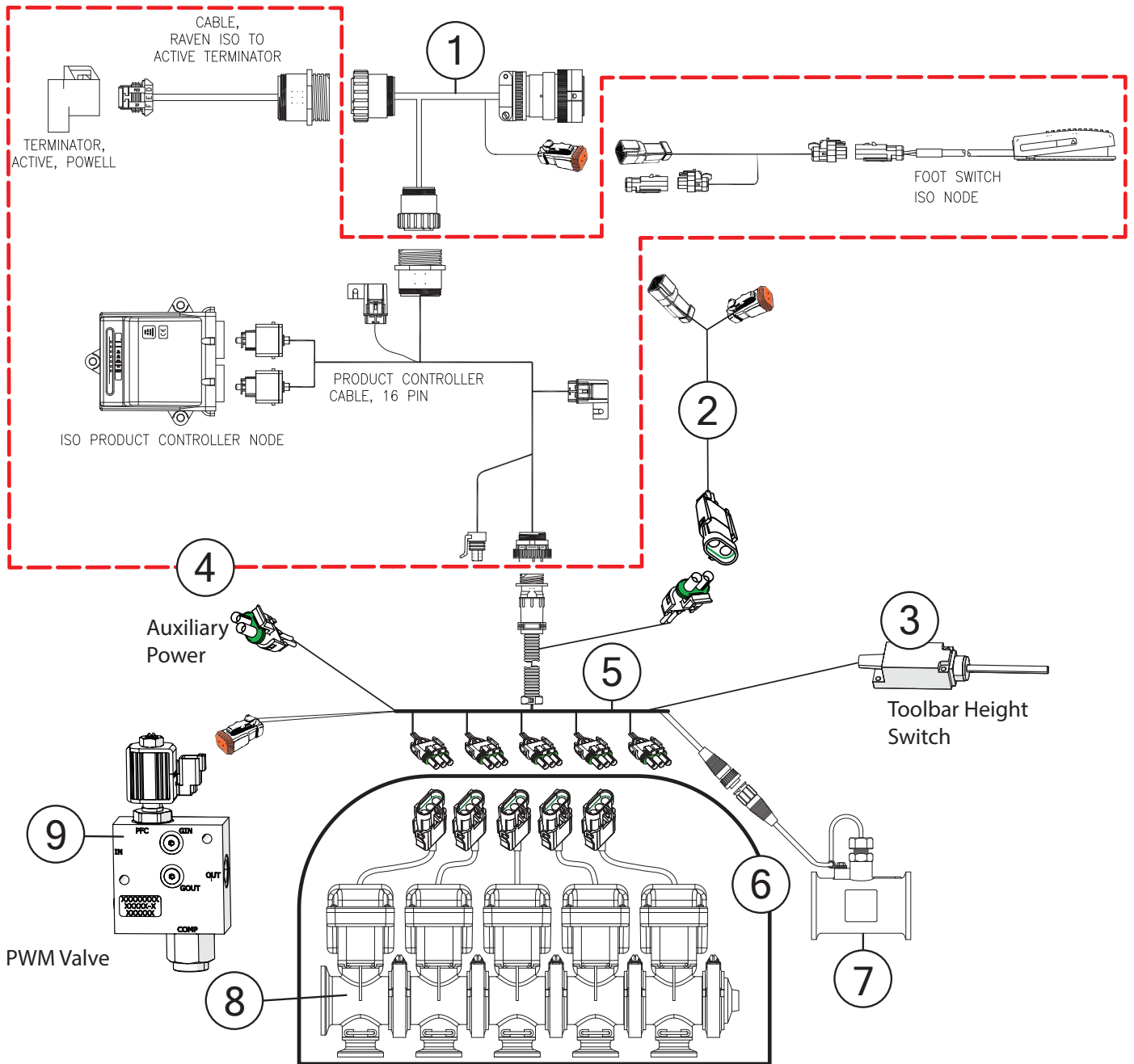
	Description	Part No.
1	1-1/2" x 120" Fertilizer Hose	JM0050830
2	48" x 3/4" Fertilizer Hose	JM0050825
3	36" x 3/4" Fertilizer Hose	JM0050824
4	96" x 3/4" Fertilizer Hose	JM0050826
5	3/4" x 82" Fertilizer Hose	JM0050827
6	3/4" x 90" Fertilizer Hose	JM0050829
7	2" x 65" Pump to Raven Flow Control Line	JM0050834
8	1/4" x 2' Hose - 1/4" Poly Fitting Each End	JM0047863
9	30" x 3/4" Fertilizer Hose	JM0050828
10	55" x 3/8" Fertilizer Hose	JM0050810
11	65" x 3/8" Fertilizer Hose	JM0050811
12	130" x 3/8" Fertilizer Hose	JM0050812
13	140" x 3/8" Fertilizer Hose	JM0050813
14	160" x 3/8" Fertilizer Hose	JM0050814
15	190" x 3/8" Fertilizer Hose	JM0050815
16	246" x 3/8" Fertilizer Hose	JM0050816
17	276" x 3/8" Fertilizer Hose	JM0050817
18	306" x 3/8" Fertilizer Hose	JM0050818
19	336" x 3/8" Fertilizer Hose	JM0050819
20	366" x 3/8" Fertilizer Hose	JM0050820
21	396" x 3/8" Fertilizer Hose	JM0050821
22	426" x 3/8" Fertilizer Hose	JM0050822
23	456" x 3/8" Fertilizer Hose	JM0050823
24	Hose Clamp - 1-13/16" Min, 2-1/16" Max	JM0021189
25	1-1/2" Male Thread X 1-1/2" 90 Deg Hose Barb	JM0061527
26	1-1/2" Poly Bulkhead Tank Fitting with EPDM Gasket	JM0061522
27	3/4" NPT Bulkhead Tank Flange Assembly	JM0035222
28	3/4" Hose Barb x 3/4" Male NPT; 90 Deg	JM0035226
29	3/4" Hose Clamp SS	JM0039205
30	3/4" Male NPT x 3/4" Hose Barb	JM0021163
31	3/8" Hose Barb Tee	JM0073958

# Raven SCS 450 Liquid Control System



Description	Part No.
1 Raven SCS450 Control Console	JM0039335
2 NitroGro 5 Section - PWM 30' Extension	JM0055257
3 Mini Whisker Limit Switch	JM0050161
4 Phoenix GPS Speed Sensor	JM0039338
5 NitroGro Break Out Harness 4' (5 Boom, Limit Switch, PWM, Flow Meter, Power)	JM0055255
6 Raven 5 Section Manifold	JM0038797
7 Raven Flow Meter RFM100P M220 Manifold Flange (6000 Series)	JM0038727
8 Raven Boom Valve	JM0032478
9 Hydraulic PWM Control Valve for 155 Ace Pump (F14264A1-1)	JM0059223
9 Hydraulic PWM Control Valve for 750 Ace Pump (F14264A1-2)	JM0085031

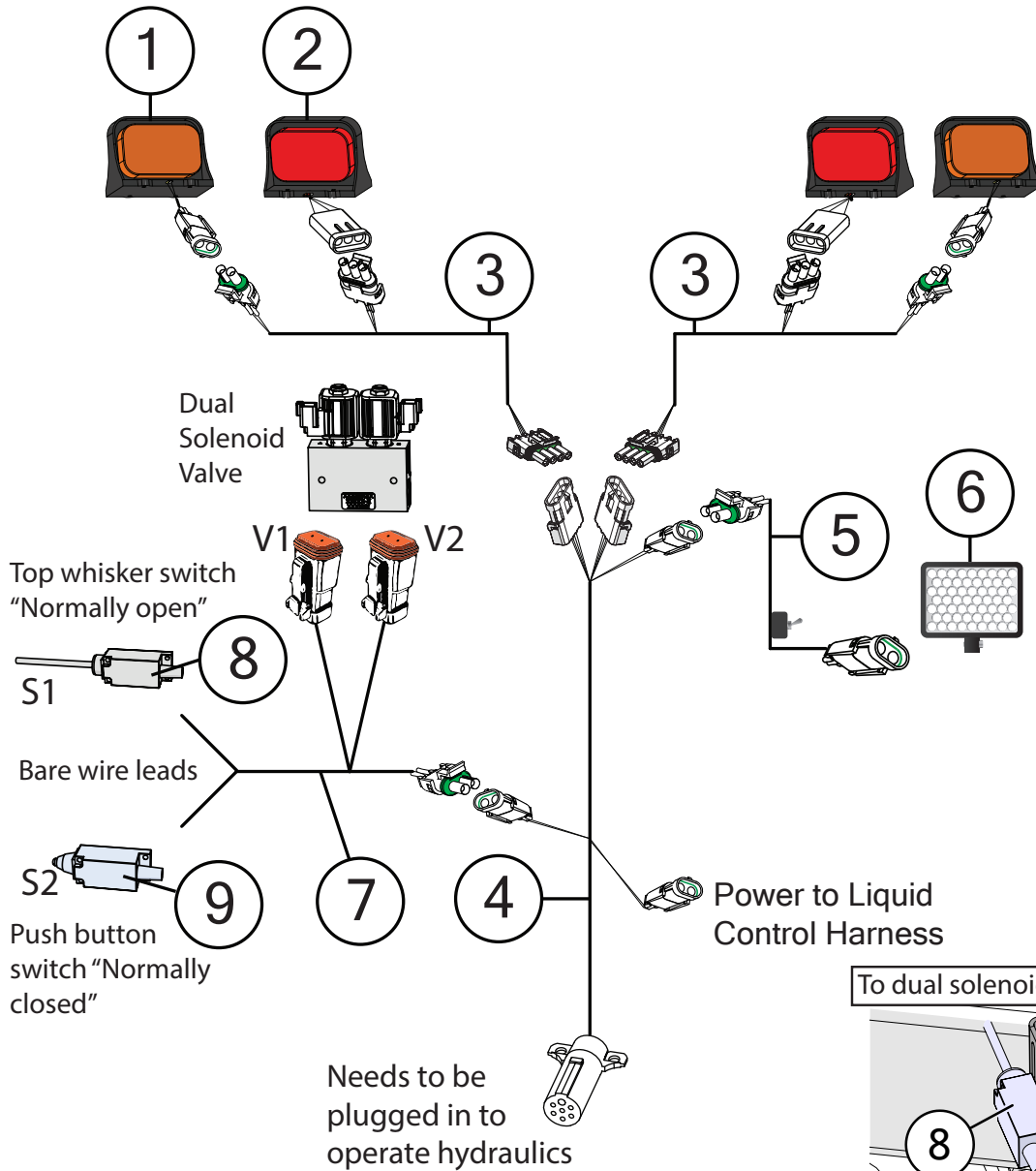
# ISO Liquid Control System



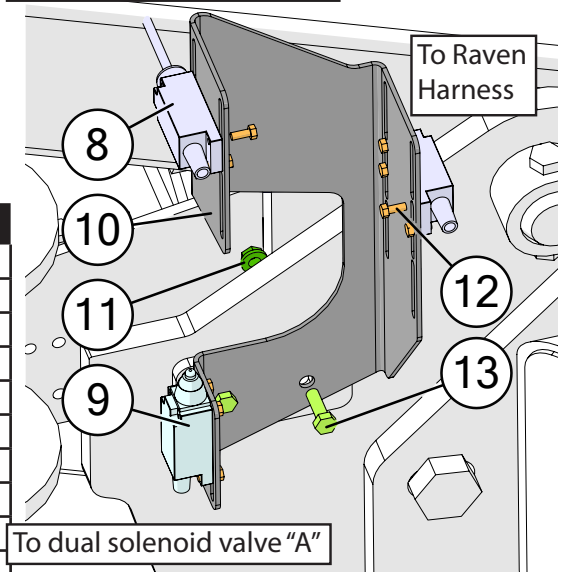
	Description	Part No.
1	Raven Cable ISOBUS Hitch to Raven ECU (17')	JM0051018
2	NG ISO Remote Switch Harness	JM0080057
3	Mini Whisker Limit Switch	JM0050161
4	Raven ISO Single Product Kit	JM0039339
5	NitroGro Break Out Harness 4' (5 Boom, Limit Switch, PWM, Flow Meter, Power)	JM0055255
6	Raven 5 Section Manifold	JM0038797
7	Raven Flow Meter RFM100P M220 Manifold Flange (6000 Series)	JM0038727
8	Raven Boom Valve	JM0032478
9	Hydraulic PWM Control Valve for 155 Ace Pump (F14264A1-1)	JM0059223
9	Hydraulic PWM Control Valve for 750 Ace Pump (F14264A1-2)	JM0085031



# Lights and Wiring



To dual solenoid valve "B"



Description	Part No.
1 Amber Light (Soil Conditioner, NitroGro)	JM0009975
2 Red Light (Soil Conditioner, NitroGro)	JM0009976
3 NitroGro 6000-Series Rear Harness	JM0055138
4 NitroGro 6000-Series Front Harness	JM0055137
5 NitroGro 6000 - Rear Flood Light Harness	JM0074220
6 LED Field Light with Weather Pack Connectors (SpeedTender, NitroGro)	JM0050942
7 Dual Solenoid Valve Switch Harness	JM0068895
8 Mini Whisker Limit Switch	JM0050161
9 Limit Switch for Field Light (12T957)	JM0036040
10 6000 Series Applicator Limit Switch Bracket	JM0061978
11 5/16"-18 Gr5 Z SF Hex Nut	JM0014049
12 M5-0.8 x 12 Gr8.8 Z Hex Bolt	JM0036046
13 5/16"-18 x 1" Gr5 Z Hex Bolt	JM0001743