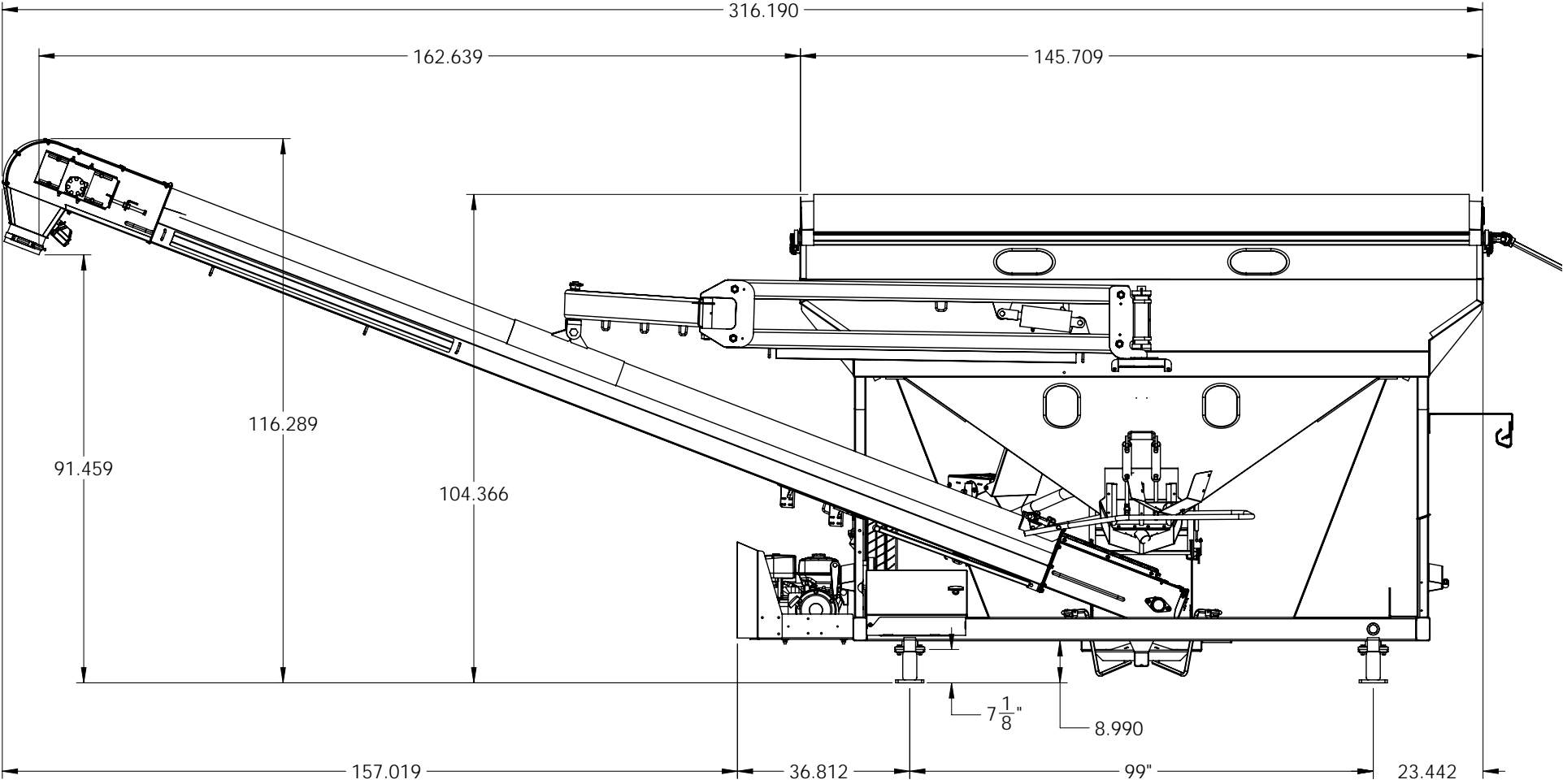
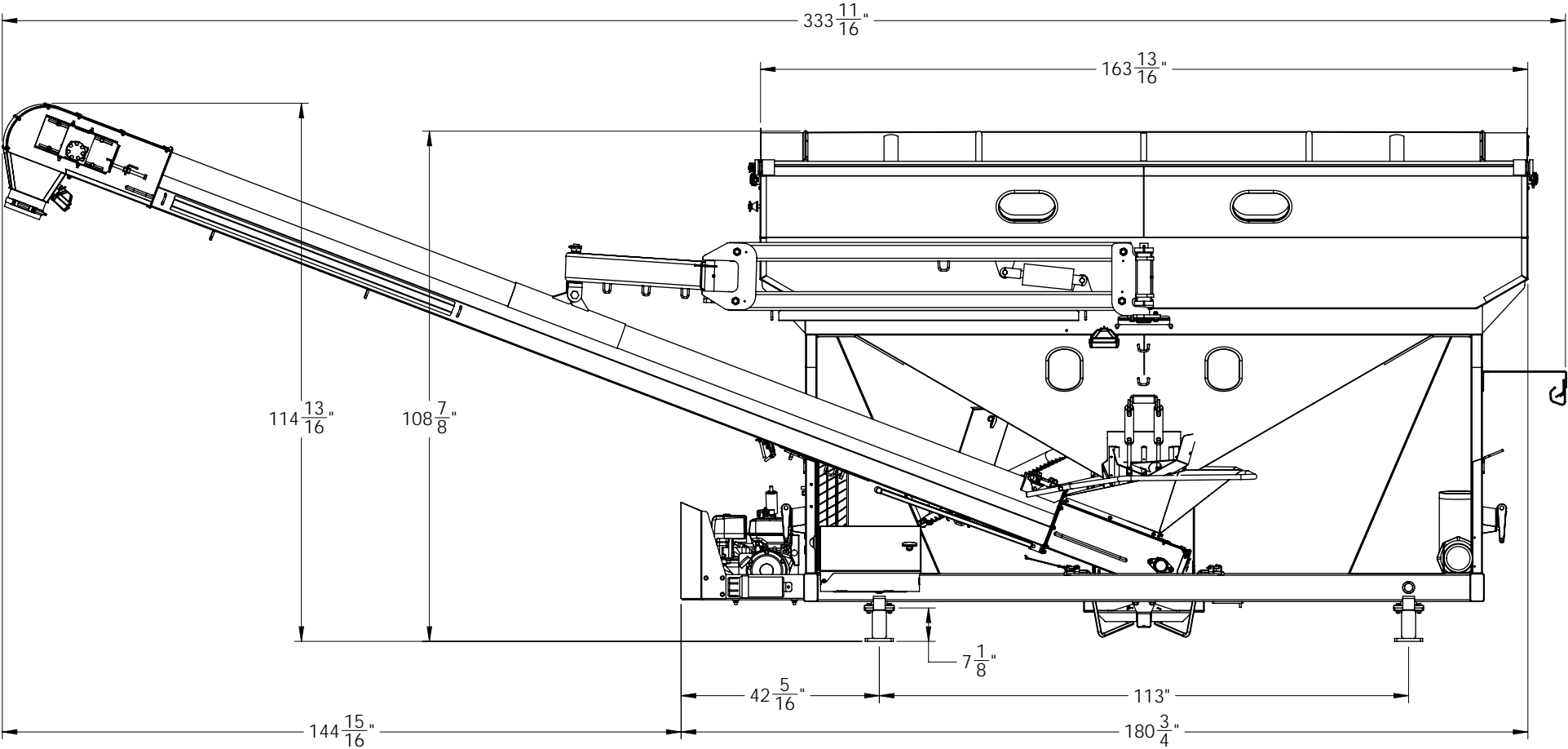


# 290 Trailer Mount Specifications

Measured in Inches

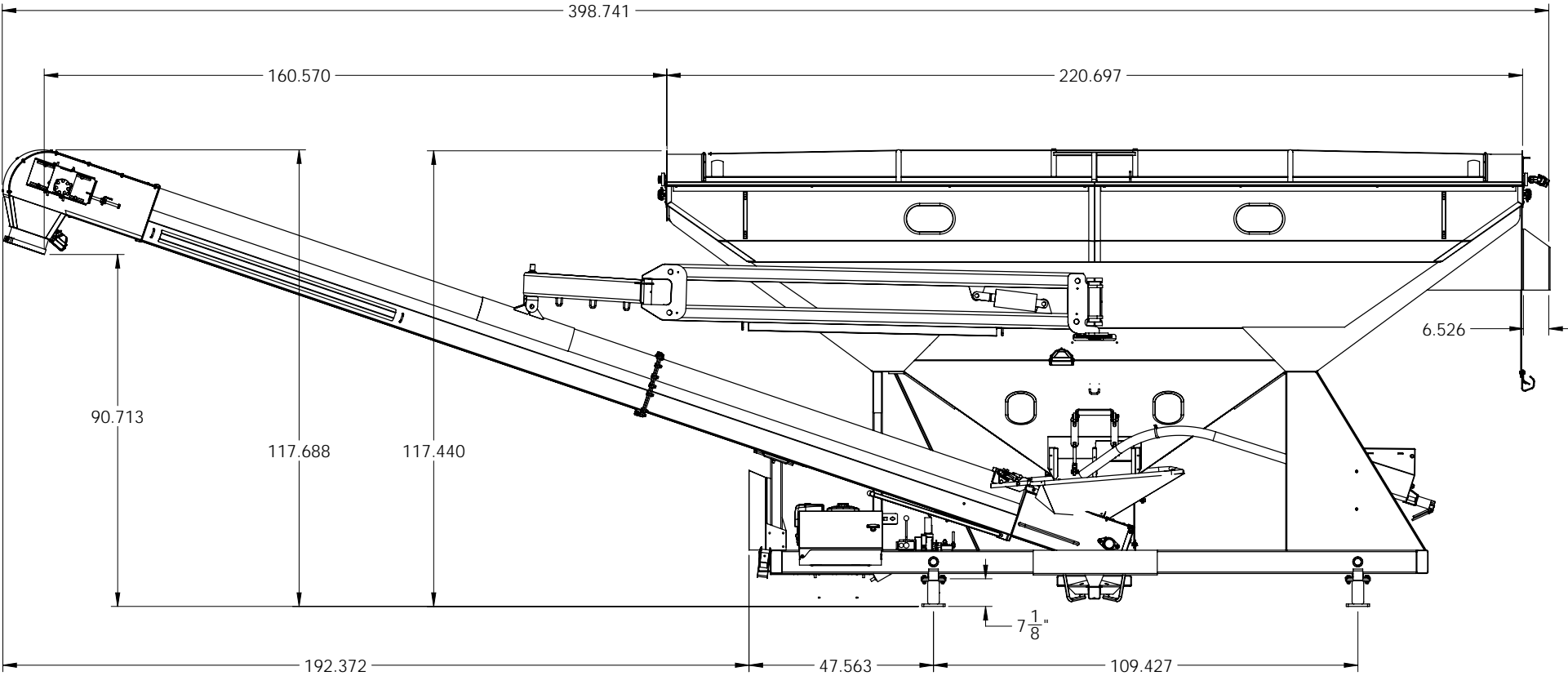


# 390 Trailer Mount Specifications



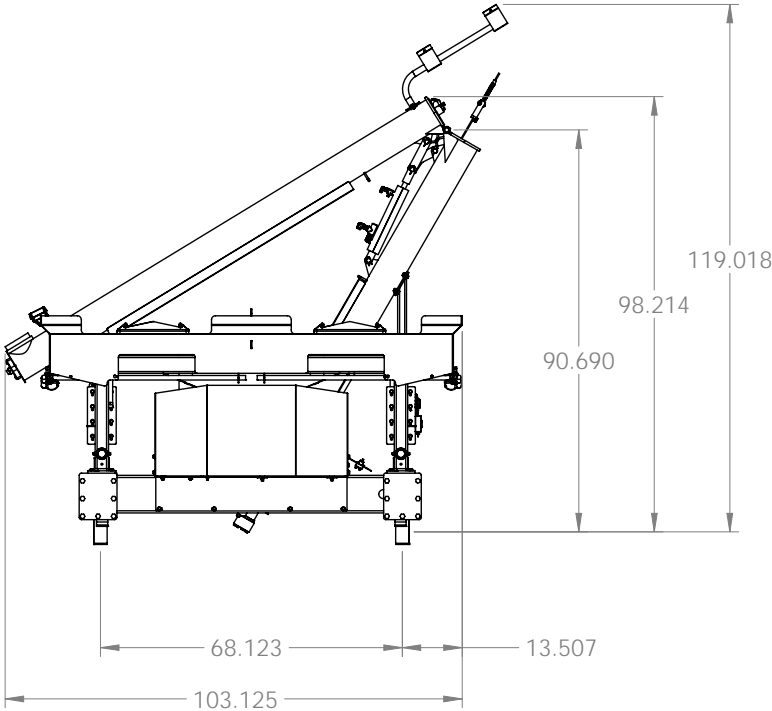
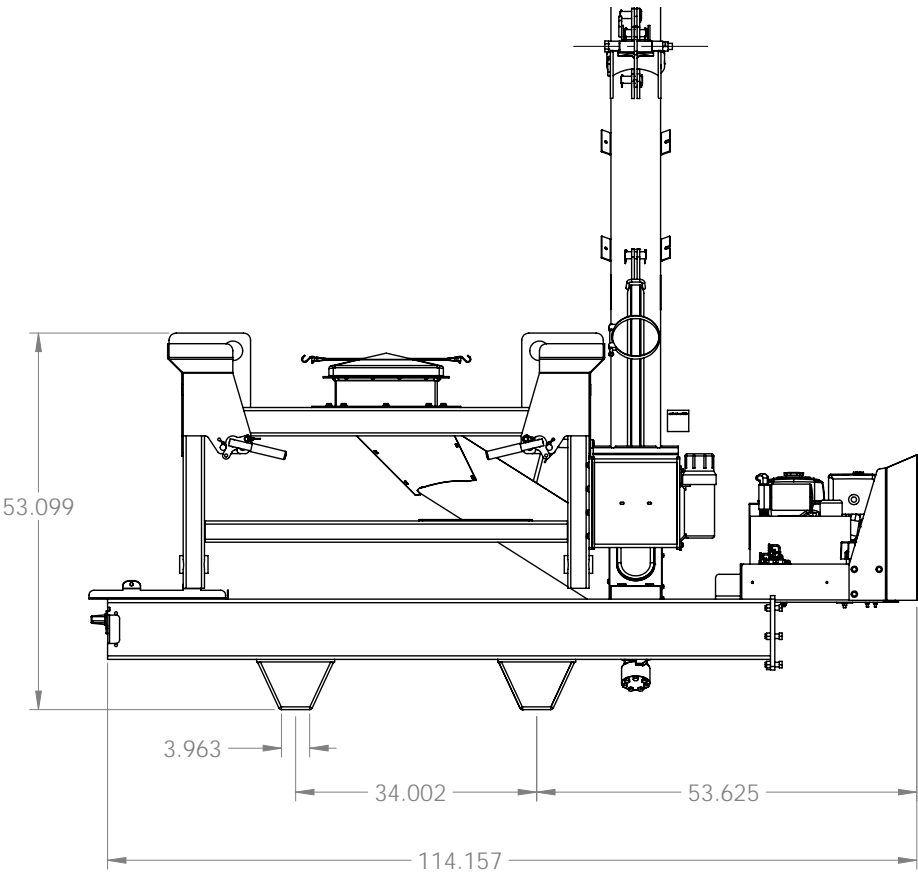
# 535 Trailer Mount Specifications

Measured in Inches



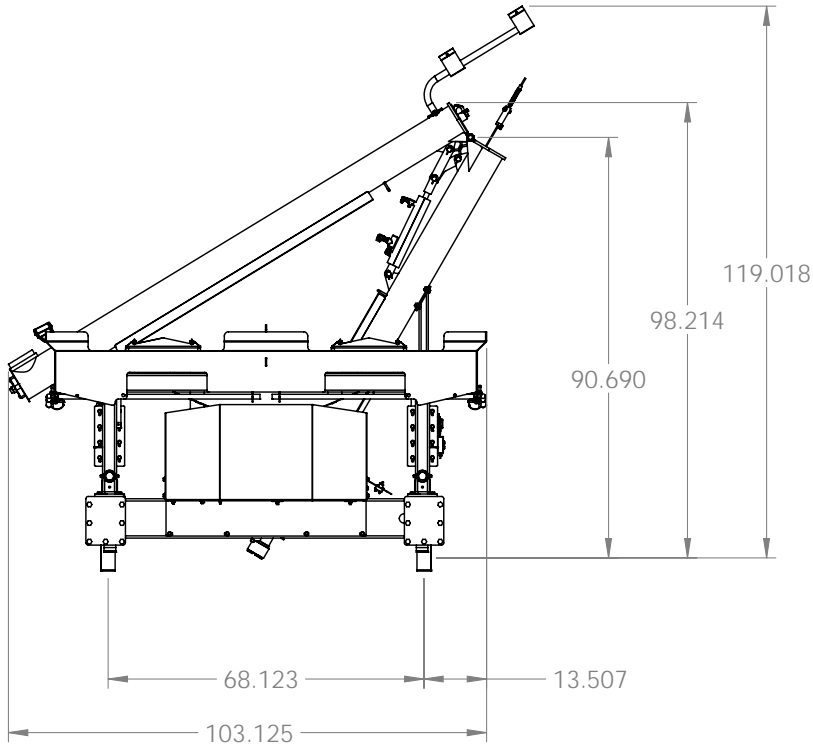
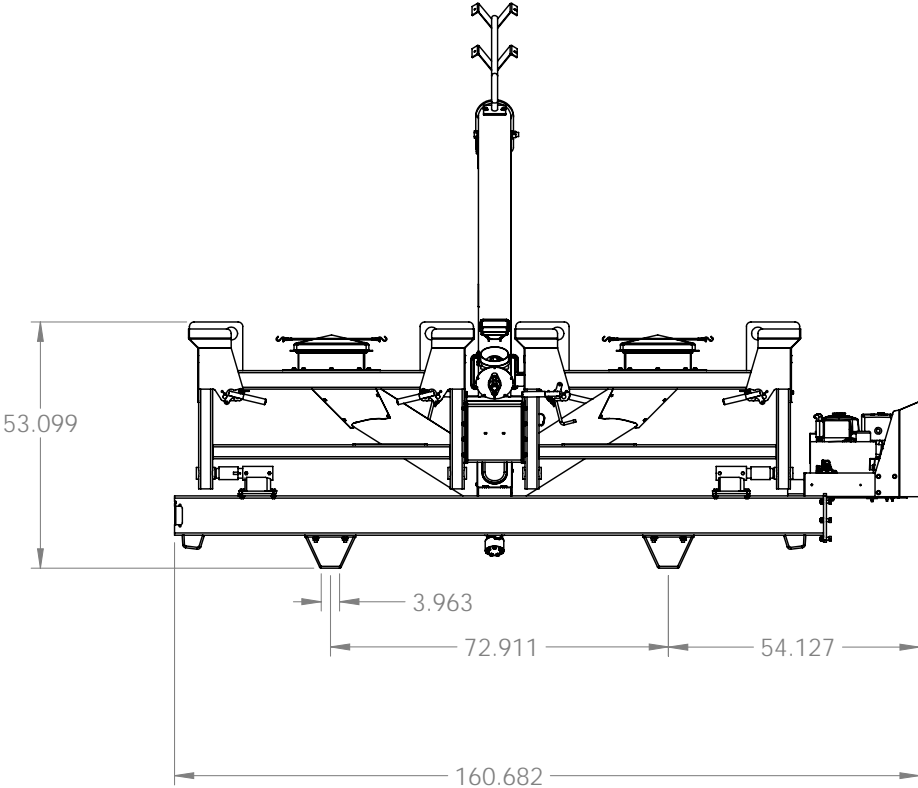
# 251 Trailer Mount Specifications

Measured in Inches

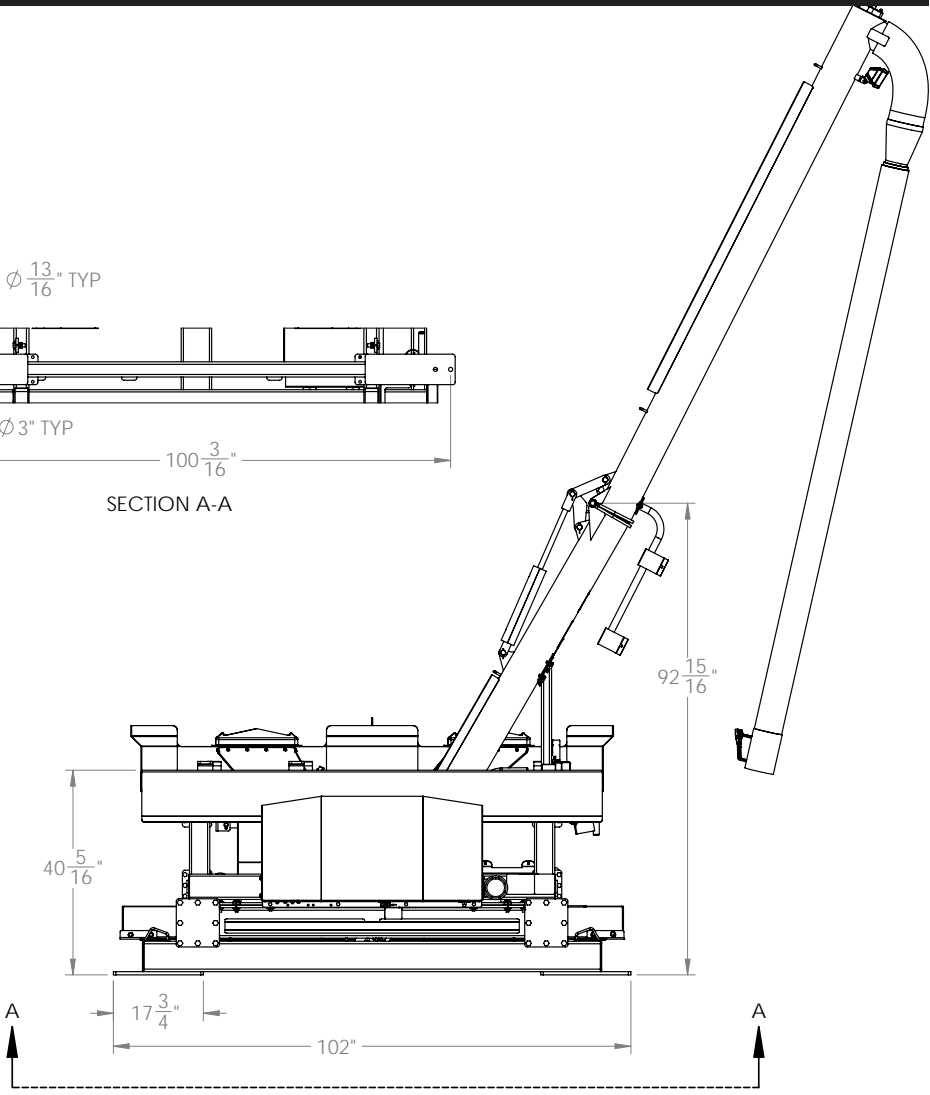
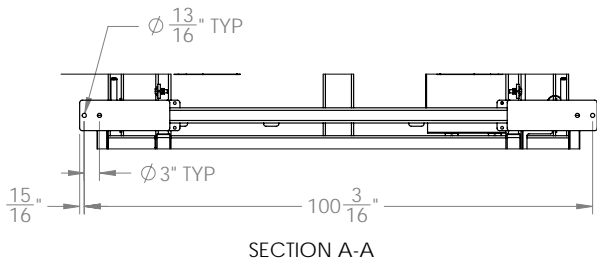
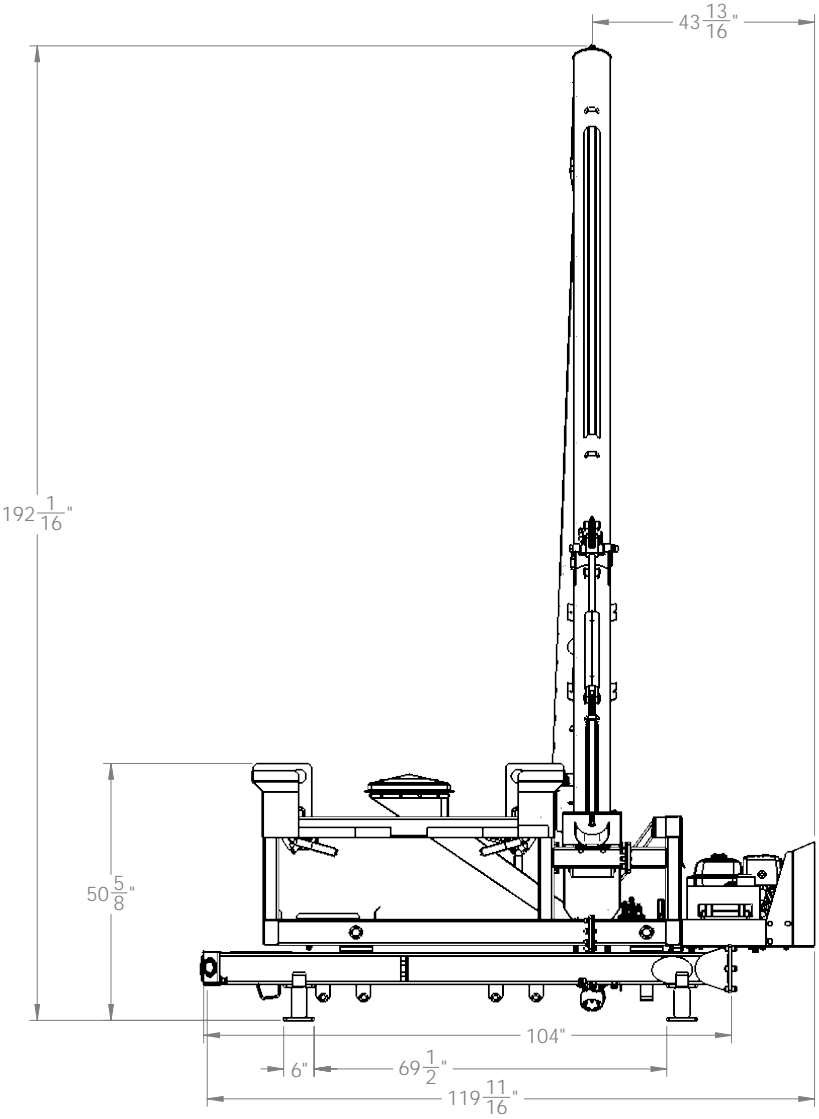


# 451 Trailer Mount Specifications

Measured in Inches

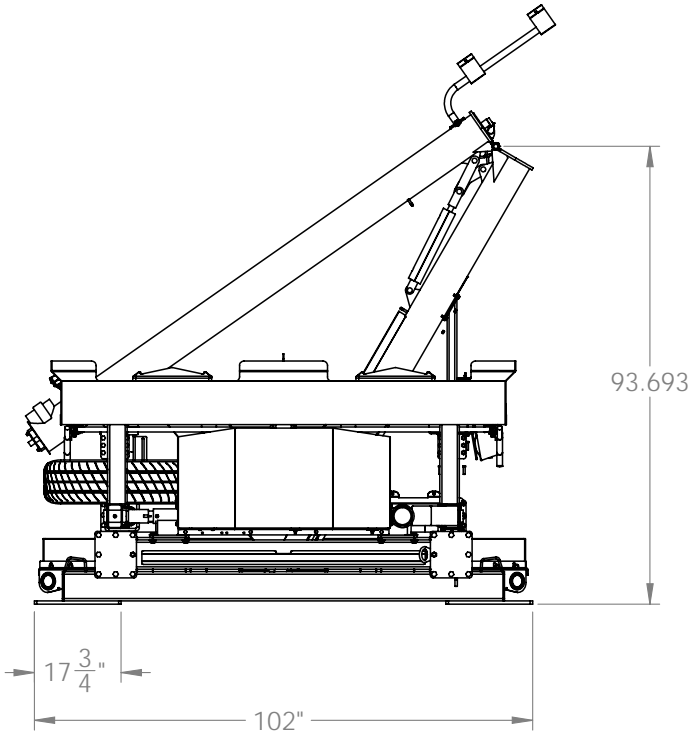
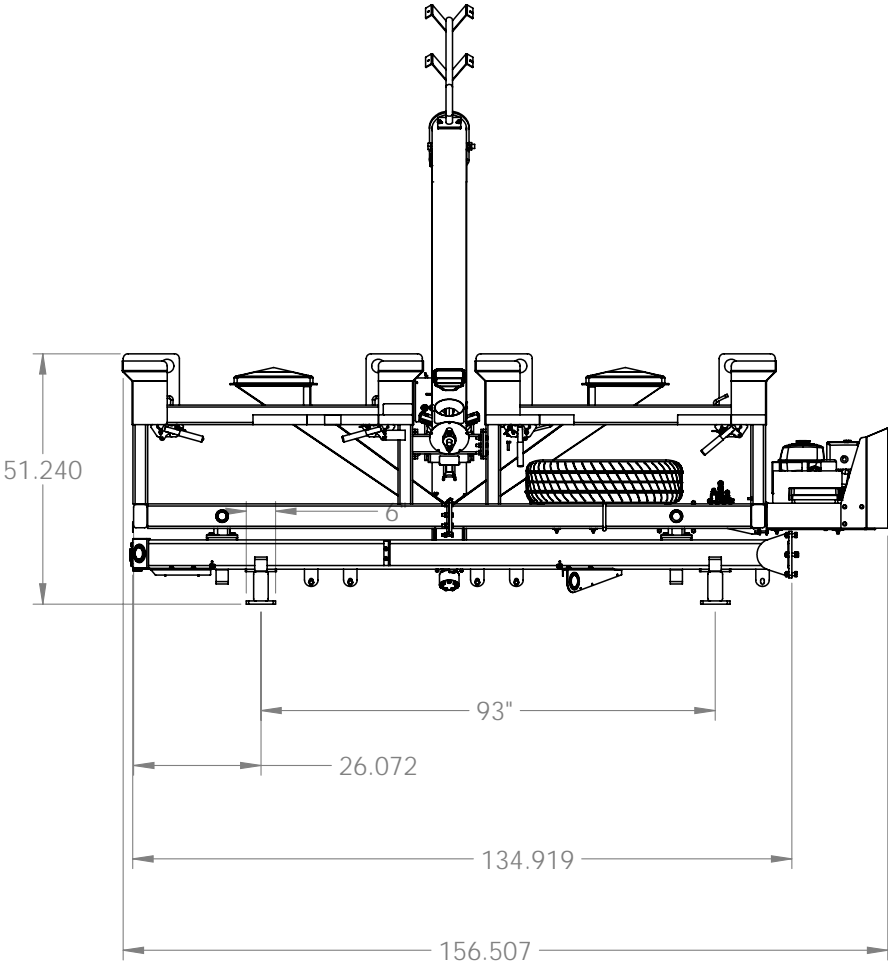


# 250 Trailer Mount Specifications

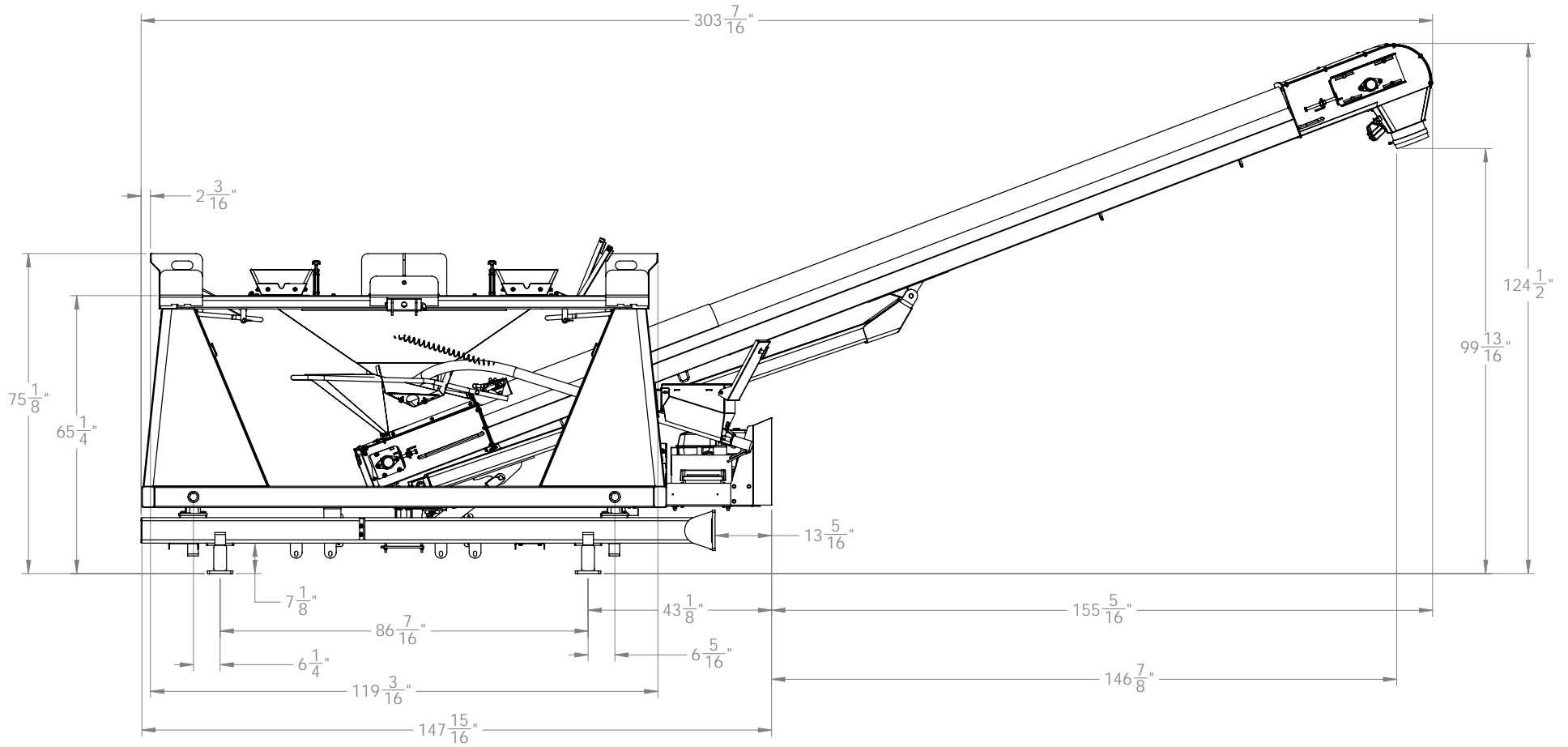


# 450 Trailer Mount Specifications

Measured in Inches

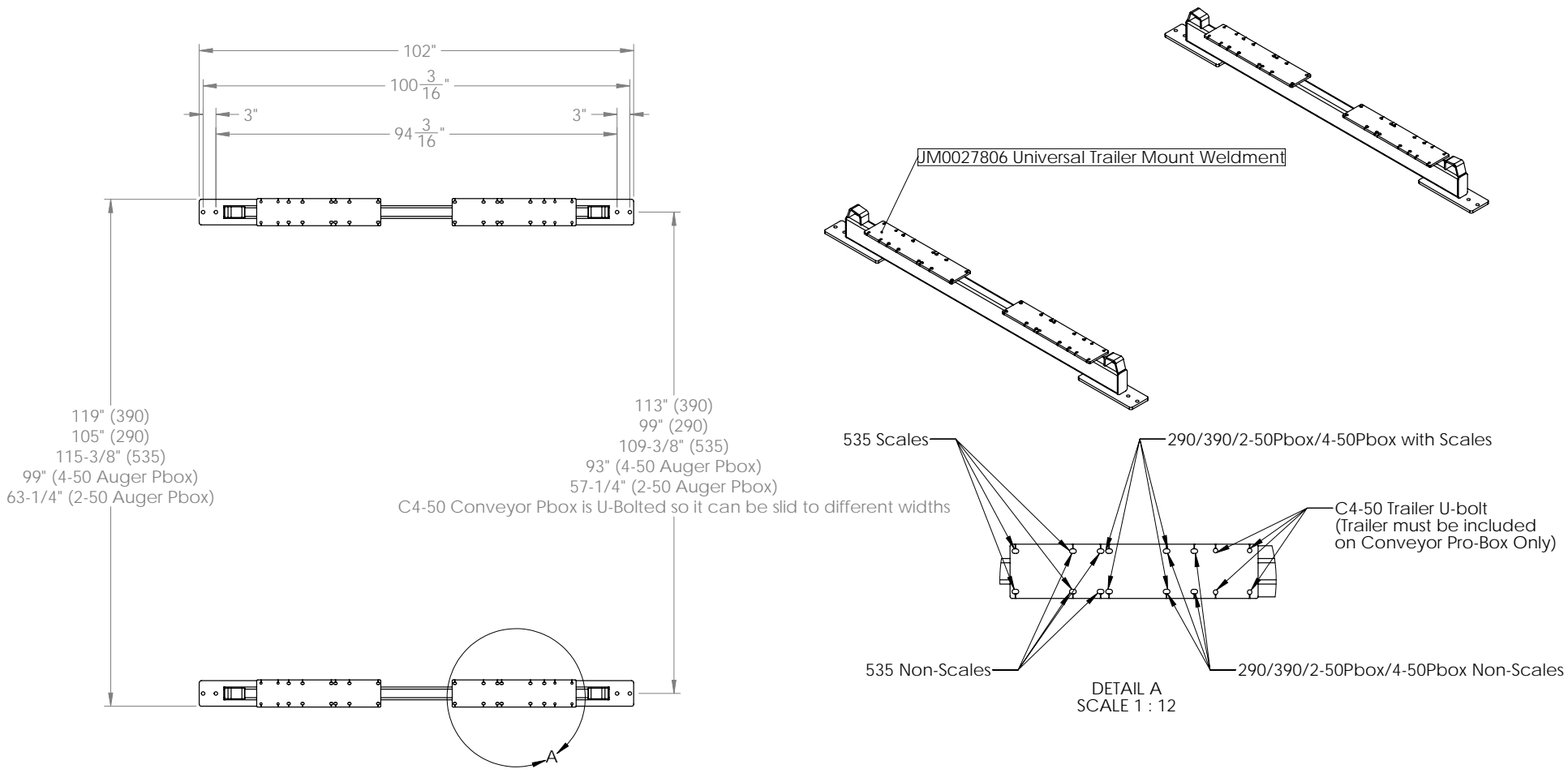


# c450 Trailer Mount Specifications





# Trailer Mount Specifications



No trailer necessary for all units (290, 390, 535, 2-50 Pbox, 4-50 Pbox) except C4-50.

